



16mm Molded Case Rotary Potentiometer

16S1



Part Number

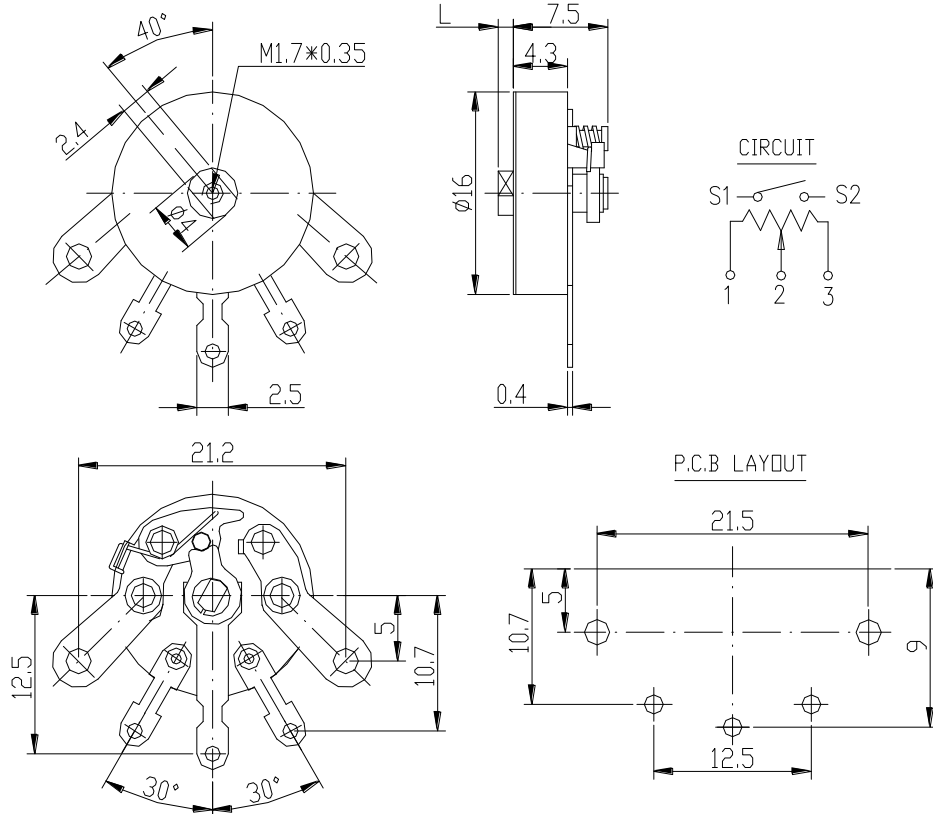
16S1 - B 50K , L- 1.2

Type

Shaft length

Resistance value

Dimensions



Shaft Type

| No Tap Type | | Tap Type | | Slotted Type | |
|-------------|-----------|----------|-----------|--------------|-----------|
| | | | | | |
| L | 1.5-5.0 | L | 1.0-5.0 | L | 1.5-5.0 |
| A | 2.2±0/0.1 | A | 2.2±0/0.1 | A | 2.2±0/0.1 |
| D | φ3.5 | D | φ3.5 | D | φ3.5 |

**16mm Molded Case Rotary Potentiometer****General**

| | |
|------------------------------|------------------------|
| Operating temperature | -10 °C ~ +70 °C |
| Manual soldering | 300 °C Max 3sec |

Electrical Characteristics

| | |
|----------------------------------|--|
| Total resistance | 500Ω ~ 500KΩ |
| Resistance tolerance | ±20% (More than 1MΩ ±30%) |
| Resistance taper | A B C D |
| Residual resistance | 20Ω Max |
| Sliding noise | Less than 47mV |
| Switch contact resistance | Less than 0.1mΩ |
| Rated power(W) | B Taper : 0.1W Other : 0.05W |
| Switch rated power | 1A at DC 12V |
| Max. Operating voltage | B Taper : AC 200V Other : AC 150V |
| Insulation resistance | More than 50MΩ at DC 500V |
| Withstand voltage | 1 Minute at AC 500V |
| Switch circuit | S.P.S.T. |

Mechanical Characteristics

| | |
|------------------------------------|------------------------|
| Total rotational angle | 260°±5° |
| Switch angle | 40°±5° |
| Rotational torque | 20 ~ 150 gf.cm |
| Switch action | 150 ~ 450 gf.cm |
| Shaft push-pull strength | 1 Kgf.Max |
| Rotational stopper strength | 2 Kgf.cm |
| Rotational life | 10,000 Cycles |