



**16mm Molded Case Rotary Potentiometer**

**16S2**



**Part Number**

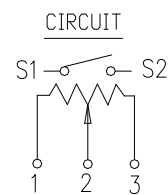
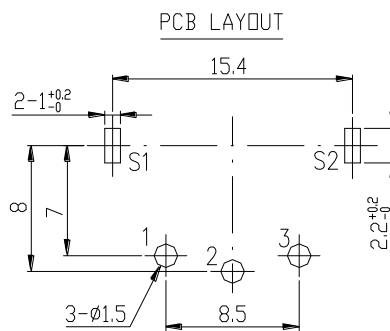
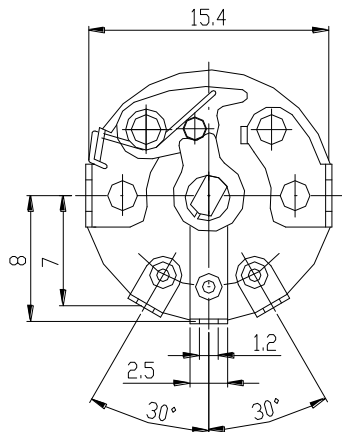
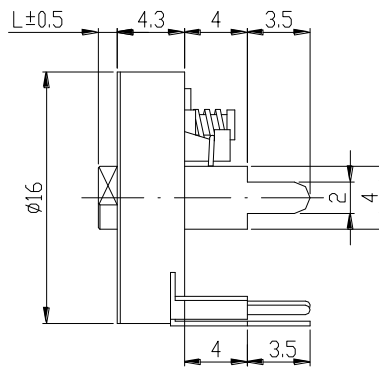
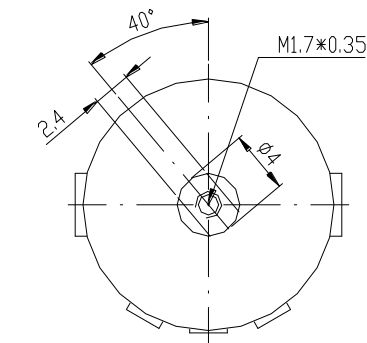
**16S2 - B 50K , L- 1.2**

Type

Shaft length

Resistance value

**Dimensions**



**Shaft Type**

| No Tap Type |           |
|-------------|-----------|
|             |           |
| L           | 1.5-5.0   |
| A           | 2.2±0/0.1 |
| D           | φ3.5      |

| Tap Type |           |
|----------|-----------|
|          |           |
| L        | 1.0-5.0   |
| A        | 2.2±0/0.1 |
| D        | φ3.5      |

| Slotted Type |           |
|--------------|-----------|
|              |           |
| L            | 1.5-5.0   |
| A            | 2.2±0/0.1 |
| D            | φ3.5      |

**16mm Molded Case Rotary Potentiometer****General**

|                              |                        |
|------------------------------|------------------------|
| <b>Operating temperature</b> | <b>-10 °C ~ +70 °C</b> |
| <b>Manual soldering</b>      | <b>300 °C Max 3sec</b> |

**Electrical Characteristics**

|                                  |  |
|----------------------------------|--|
| <b>Total resistance</b>          | <b>500Ω ~ 500KΩ</b>                      |
| <b>Resistance tolerance</b>      | <b>±20% (More than 1MΩ ±30%)</b>         |
| <b>Resistance taper</b>          | <b>A B C D</b>                           |
| <b>Residual resistance</b>       | <b>20Ω Max</b>                           |
| <b>Sliding noise</b>             | <b>Less than 47mV</b>                    |
| <b>Switch contact resistance</b> | <b>Less than 0.1mΩ</b>                   |
| <b>Rated power(W)</b>            | <b>B Taper : 0.1W Other : 0.05W</b>      |
| <b>Switch rated power</b>        | <b>1A at DC 12V</b>                      |
| <b>Max. Operating voltage</b>    | <b>B Taper : AC 200V Other : AC 150V</b> |
| <b>Insulation resistance</b>     | <b>More than 50MΩ at DC 500V</b>         |
| <b>Withstand voltage</b>         | <b>1 Minute at AC 500V</b>               |
| <b>Switch circuit</b>            | <b>S.P.S.T.</b>                          |

**Mechanical Characteristics**

|                                    |                        |
|------------------------------------|------------------------|
| <b>Total rotational angle</b>      | <b>260°±5°</b>         |
| <b>Switch angle</b>                | <b>40°±5°</b>          |
| <b>Rotational torque</b>           | <b>20 ~ 150 gf.cm</b>  |
| <b>Switch action</b>               | <b>150 ~ 450 gf.cm</b> |
| <b>Shaft push-pull strength</b>    | <b>1 Kgf.Max</b>       |
| <b>Rotational stopper strength</b> | <b>2 Kgf.cm</b>        |
| <b>Rotational life</b>             | <b>10,000 Cycles</b>   |