



SONG HUEI ELECTRIC CO.,LTD

**C3305 - 3mm SMT Trimmer Potentiometer
(3mm 半固定電位器)**

C3305



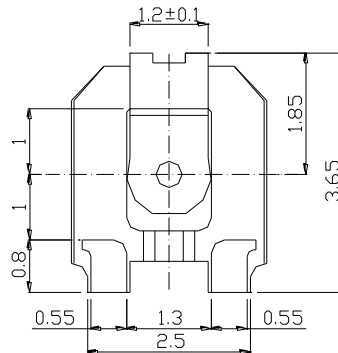
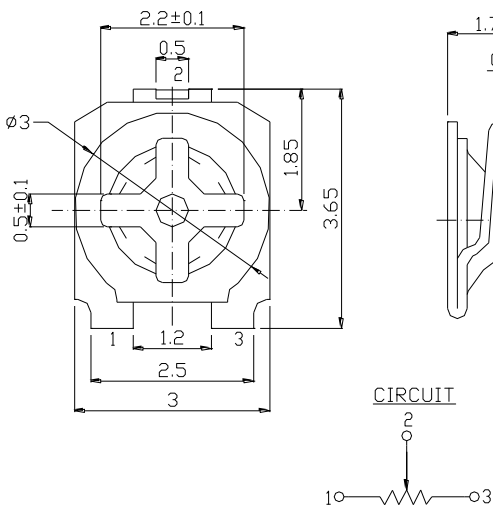
Part Number

C3305 - B 50K

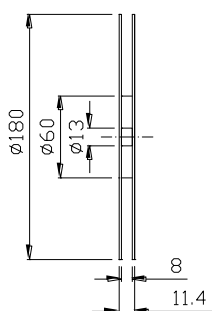
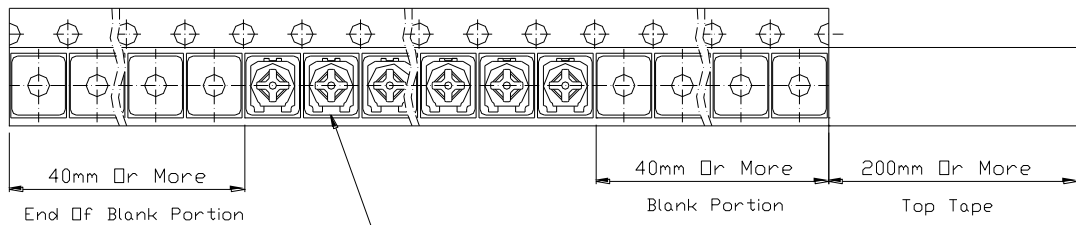
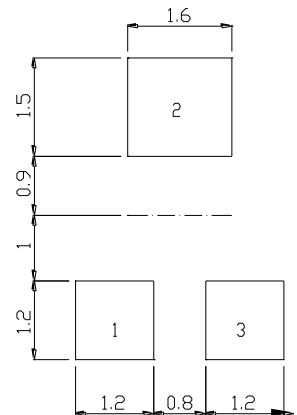
Taper
線性

Resistance value
阻值

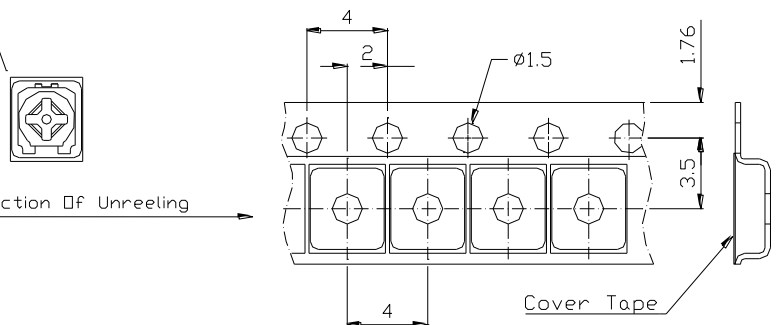
Dimensions 規格尺寸



PCB LAYOUT



Direction of Unreeling



**C3305 - 3mm SMT Trimmer Potentiometer
(3mm 半固定電位器)****General 一般事項**

使用溫度範圍 Operating temperature	-55 °C ~ +125 °C
焊錫條件 Soldering conditions	260±5°C Within 5 seconds

Electrical Characteristics 電氣特性

總阻值(R) Total resistance	100Ω ~ 2MΩ
總阻值容許誤差 Resistance tolerance	100Ω ~ 1MΩ : ±25% Above 2MΩ : ±30%
阻值線性 Resistance taper	B
殘留阻值 Residual resistance	R ≤ 1KΩ : ≤ 20Ω R > 1KΩ : Less than 2% of total resistance value
定格電力 Rated power(W)	0.1W
最高使用電壓 Max. Operating voltage	AC 20V / DC 20V
接觸阻抗 Contact resistance variation	50% Max

Mechanical Characteristics 機械特性

全回轉角度 Total rotational angle	360° (No Stopper)
有效電氣角度 Effective electrical angle	250°±20°
全回轉扭力 Rotational torque	10 ~ 200 gf.cm
迴轉壽命 Rotational life	20±2 Cycles.
標準包裝 Standard packaging	2000 pcs