



60mm L-PAD Attenuators Wire Wound Potentiometer

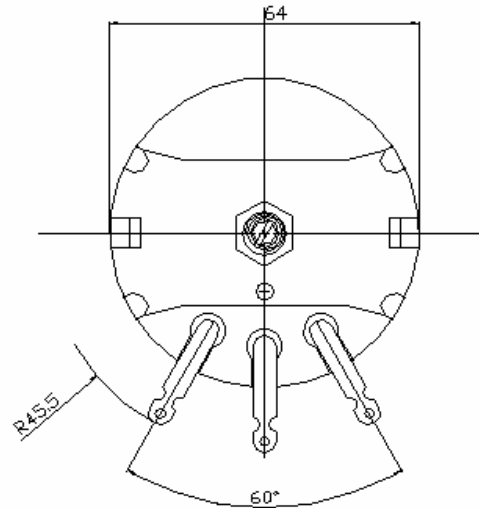
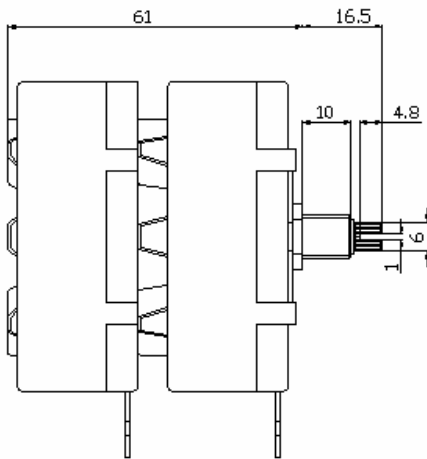
GAT-60H



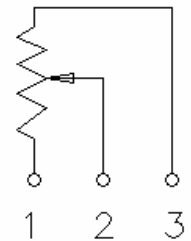
Part Number

GAT-60H - B **8Ω**, **L - 20** **KC**
Taper Resistance Value Shaft Type
Shaft Length

Dimensions



CIRCUIT





60mm L-PAD Attenuators Wire Wound Potentiometer

MECHANICAL SPECIFICATION:

1. ANGLE : 300°+/-5°
2. ROTATIONAL TORQUE : 50~300g/cm
3. NUT FASTENING STRENGTH : 10~12 kgf.cm
4. SHAFT ANTI ROTATION STRENGTH : 1 kgf over
5. ROTATIONAL LIFE : 15,000 cycles min

ELECTRICAL SPECIFICATION :

1. RATED POWER : 2dB/40W, 6dB/25W, 12dB/15W.
2. RESISTANCE TAPER : B TAPER
3. RESISTANCE TOLERANCE : +/-20%
4. INSULATION RESISTANCE : over 100M ohm with DC500V put between the terminal and the shaft.
5. WITHSTANDING VOLTAGE : one minute against 50HZ 500V put between the terminal and the shaft.
6. TEMPERATURE RANGE : -10°~70°C degree
7. RESISTANCE RANGE : 4 ohm or 8 ohm
8. ATTENUATION: 0-40 dB