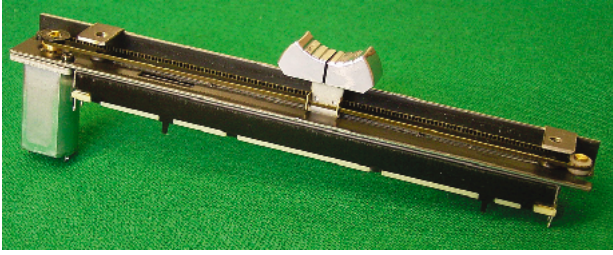
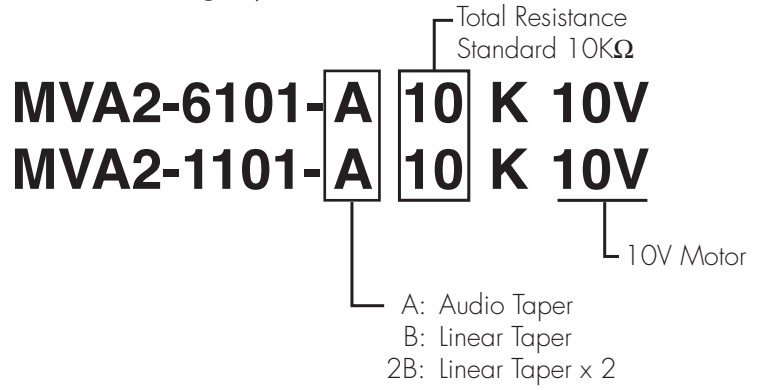




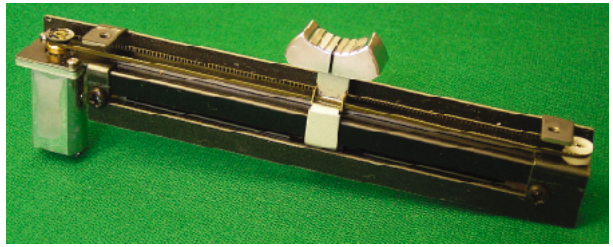
MVA2(LMA2)-6101
MVA2(LMA2)-1101



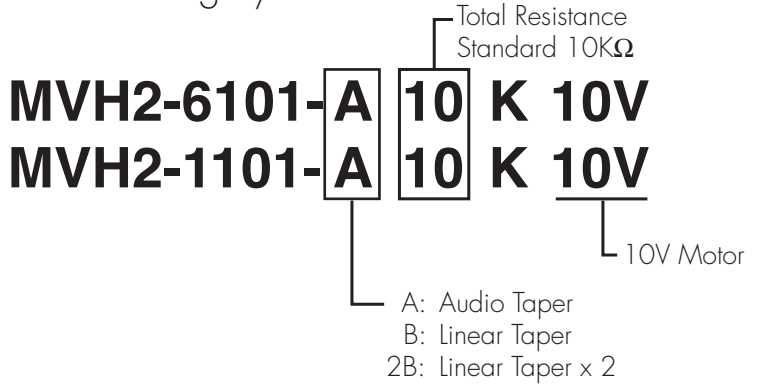
Numbering System



MVH2(LMH2)-6101
MVH2(LMH2)-1101



Numbering System



Specifications

Model

MVA2
MVH2

Option

Output Law

Audio Taper or Linear Taper
or Linear Taper X 2

Knob : Cp-2-□

Total Resistance ±20%
Attenuation Accuracy

10KΩ(Standard)
0~10dB ±1.0dB
~20dB ±2.0dB

Mounting Hole: 4-40UNC

Cut off at 15KHz Minimum
Power Rating
Insulation Resistance

95dB
0.2W Max
50MΩ or More at DC 100V

Model

LMA2
LMH2

Option

Attenuation Accuracy

0~20dB ±3.0dB

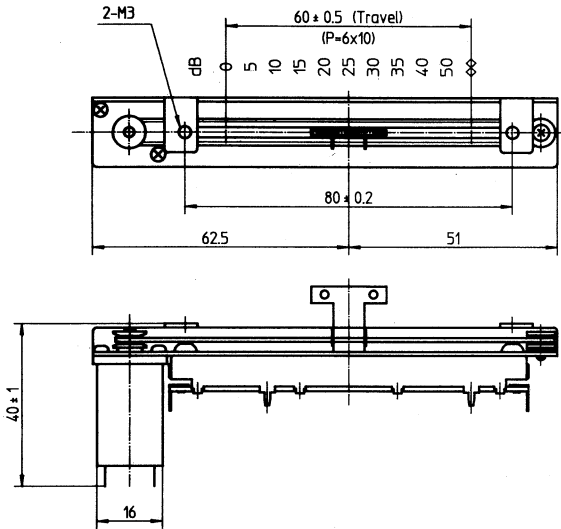
knob : CP-2-□

Mounting Hole: 4-40UNC

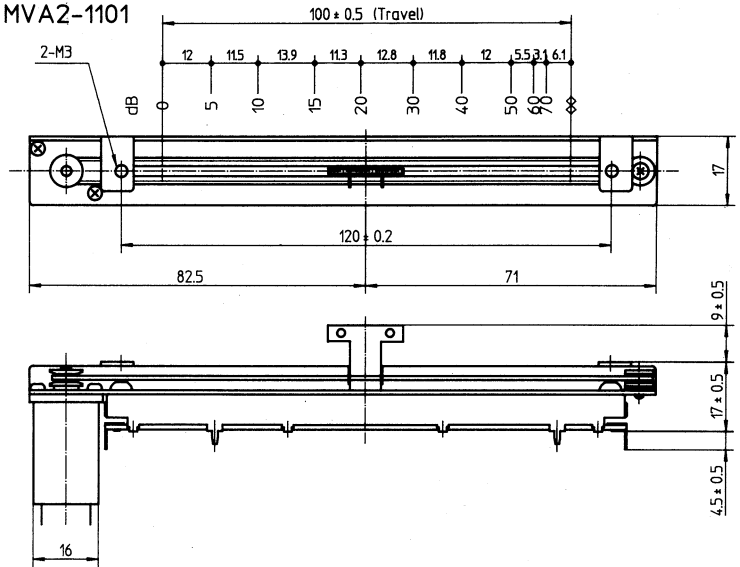


Dimensions

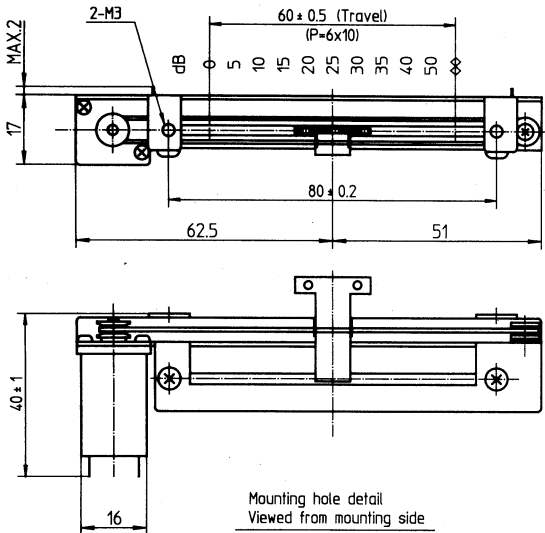
MVA2-6101



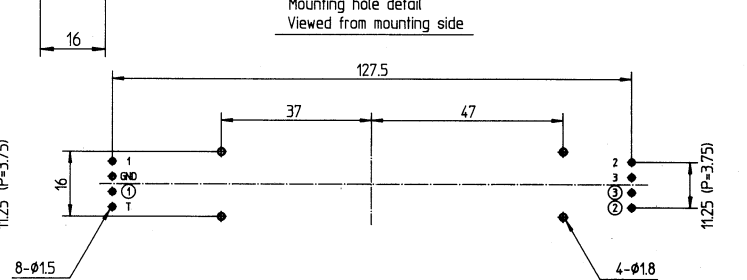
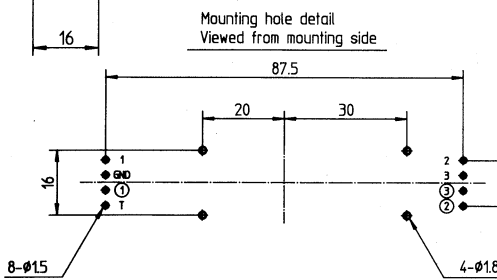
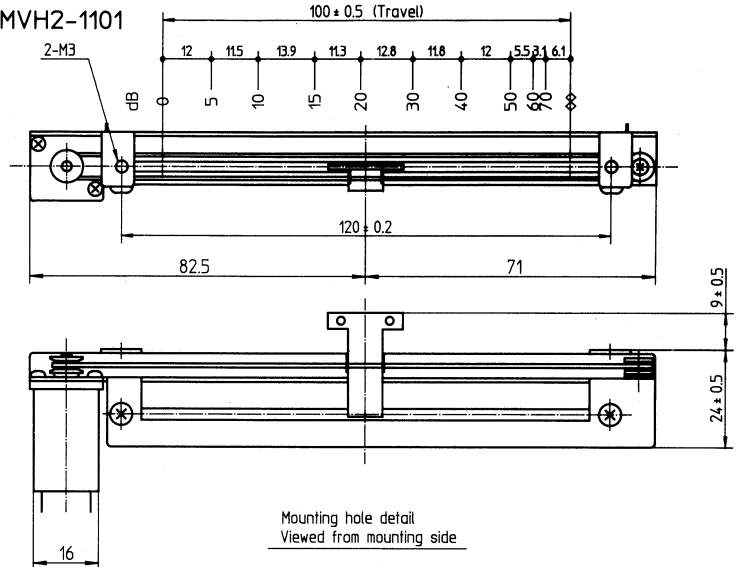
MVA2-1101



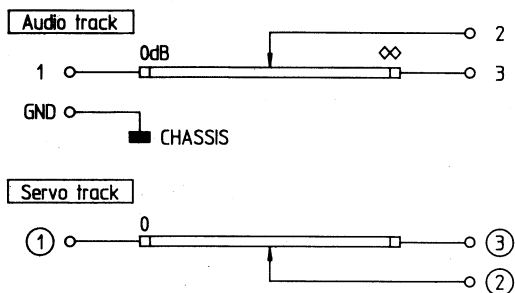
MVH2-6101



MVH2-1101



Circuits



Terminal style

