



Non Case Slide Potentiometer-With LED

NSL□□7N+LED



Part Number

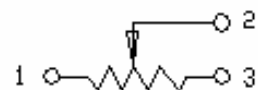
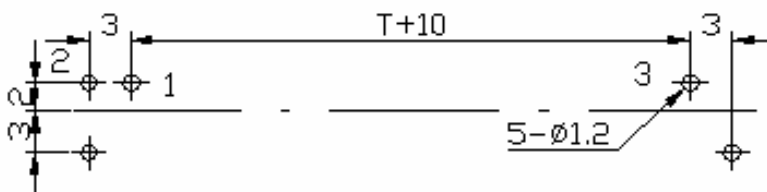
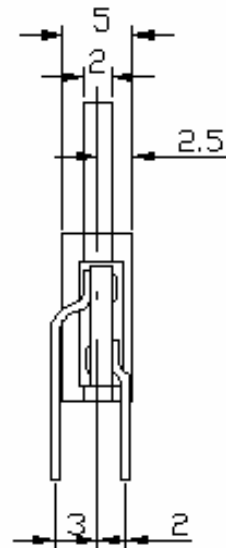
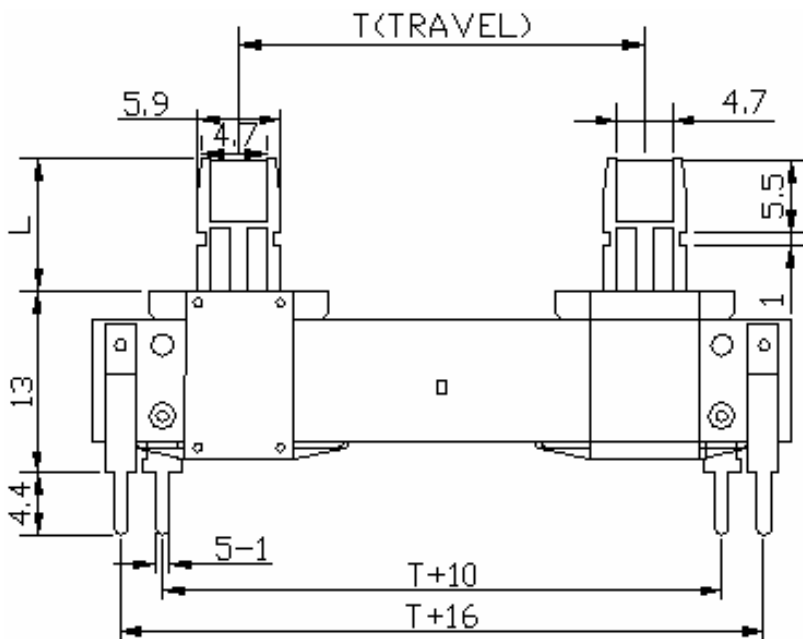
NSL□□7N+LED - B 10K, L - 9.5 D

Taper Resistance Value Shaft Type

Travel Length
10/15/20/30mm

Shaft Length

Dimensions





Non Case Slide Potentiometer-With LED

Electrical Characteristics

| | | | | | | |
|---|--|-----------|---------|-----------|--------|----------|
| Total Resistance | 1K Ω ~1M Ω | | | | | |
| Total Resistance Tolerance | $\pm 20\%$ | | | | | |
| Resistance Taper | A. B. C. D. W. Taper | | | | | |
| Resistance Taper Characteristics | A50% | B50% | C50% | D50% | W50% | |
| | 15-25% | 40-60% | 75-85% | 2-15% | 45-55% | |
| Rated Power=B Taper (AC) Other Taper | 10~15mm | 100V0.05W | 20~25mm | 200V0.1W | 30mm | 250V0.2W |
| | 10~15mm | 50V0.025W | 20~25mm | 150V0.05W | 30mm | 200V0.1W |
| Residual Resistance | $R \geq 250K\Omega$ 0.1% $250K\Omega > R > 10K\Omega$ 20 Ω Max. (between Term. 1, 2) $10K\Omega \geq R$ 20 Ω Max. (between Term. 2, 3) | | | | | |
| Gang Error | -40~0db \leq 3db | | | | | |
| Noise | 100mV Max. at 20mm/sec. | | | | | |
| Insulation Resistance | DC 250V 10M Ω | | | | | |
| Withstand Voltage | 1 minute at AC 250V | | | | | |
| Sliding Life | 10,000 Cycles | | | | | |

Mechanical Characteristics

| | |
|---|--|
| Overall Travel | 10 / 15 / 20 / 30mm ± 0.5 mm |
| Stopper Strength | 3 kgf.cm max. / 3 sec. |
| Operating Force and Click slip-out force | 0.1~2N (10 ~ 200 gf.cm) 1~3N (100 ~ 300 gf) |
| Level Push-Pull Strength | 30N(3.0 kgf.cm max./ 5 sec.) |
| Level Wobble | 2(2*L)/20 mm max. (L: lever length both side) |
| Bending Moment | 25mN.m (250gf.cm) |
| Lever Deviation | 0.5 max. (one side) |
| Soldering Heat | 300 $^{\circ}$ C, 3s. (Only for Hand-Soldering) |
| Remark | Black Shaft Carbon thickness: 15-20 μ Sliver thickness: 10-15 μ |