



## Non Case Slide Potentiometer

NSL□□7N



### Part Number

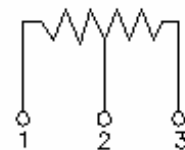
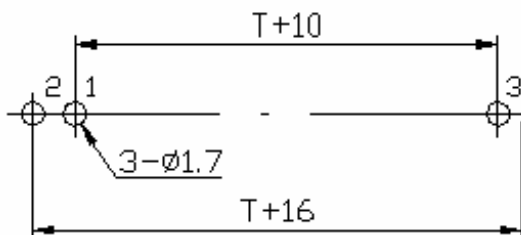
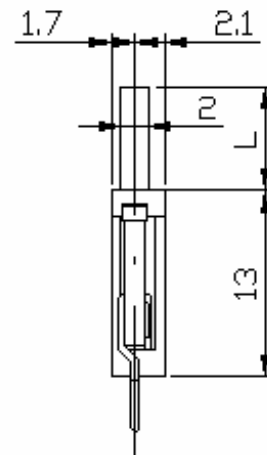
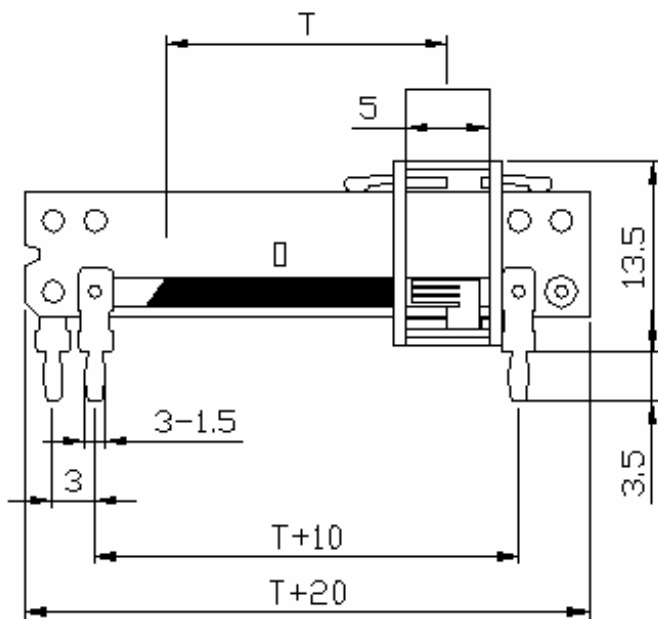
NSL□□7N - **B** **50K**, L - **4** **A**

↓ Taper      ↓ Resistance Value      ↓ Shaft Type

↓ Travel Length      ↓ Shaft Length

10/15/20/30mm

### Dimensions





**Non Case Slide Potentiometer**

**Shaft Type**

MODEL	NSL007, NSL008, NSL009						
LEVER TYPE	A		C			GB	
DIMENSIONS	INSULATED LEVER			INSULATED LEVER			INSULATED LEVER
LENGTH(L)	4	6	7	8.5	12	14.5	10

MODEL	NSL007, NSL008, NSL009						
LEVER TYPE	D		GD		GE		
DIMENSIONS	INSULATED LEVER			INSULATED LEVER		INSULATED LEVER	
LENGTH(L)	8.5	12	15	7	7	10	



**Non Case Slide Potentiometer**

**Electrical Characteristics**

<b>Total Resistance</b>	1KΩ~1MΩ					
<b>Total Resistance Tolerance</b>	± 20%					
<b>Resistance Taper</b>	A. B. C. D. W. Taper					
<b>Resistance Taper Characteristics</b>	A50%	B50%	C50%	D50%	W50%	
	15-25%	40-60%	75-85%	2-15%	45-55%	
<b>Rated Power=B Taper (AC) Other Taper</b>	10~15mm	100V0.05W	20~25mm	200V0.1W	30mm	250V0.2W
	10~15mm	50V0.025W	20~25mm	150V0.05W	30mm	200V0.1W
<b>Residual Resistance</b>	$R \geq 250K\Omega$ 0.1% $250K\Omega > R > 10K\Omega$ 20Ω Max. ( between Term. 1, 2) $10K\Omega \geq R$ 20Ω Max. ( between Term. 2, 3)					
<b>Gang Error</b>	-40~0db<=3db					
<b>Noise</b>	100mV Max. at 20mm/sec.					
<b>Insulation Resistance</b>	DC 250V 10MΩ					
<b>Withstand Voltage</b>	1 minute at AC 250V					
<b>Sliding Life</b>	10,000 Cycles					

**Mechanical Characteristics**

<b>Overall Travel</b>	10 / 15 / 20 / 30mm ± 0.5 mm
<b>Stopper Strength</b>	3 kgf.cm max. / 3 sec.
<b>Operating Force and Click slip-out force</b>	0.1~2N (10 ~ 200 gf.cm) 1~3N (100 ~ 300 gf)
<b>Level Push-Pull Strength</b>	30N(3.0 kgf.cm max./ 5 sec.)
<b>Level Wobble</b>	2( 2*L)/20 mm max. (L: lever length both side)
<b>Bending Moment</b>	25mN.m (250gf.cm)
<b>Lever Deviation</b>	0.5 max. (one side)
<b>Soldering Heat</b>	300°C, 3s. (Only for Hand-Soldering)
<b>Remark</b>	Black Shaft Carbon thickness: 15-20μ Sliver thickness: 10-15μ