



## PT-15 Carbon Potentiometer

**PT-15**



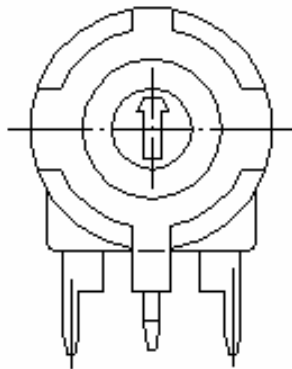
Horizontal Type

### Part Number

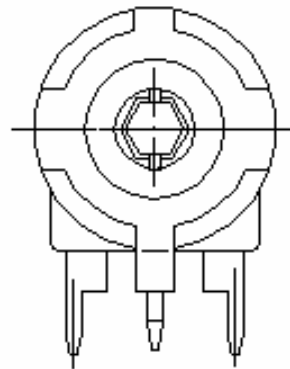
**PT-15 - M VA12.5 101 B 2020**

↓	↓	↓	↓	↓	↓
Model No.	Rotors	Mounting	Resistance	Taper	Tolerance
		Method	Value		

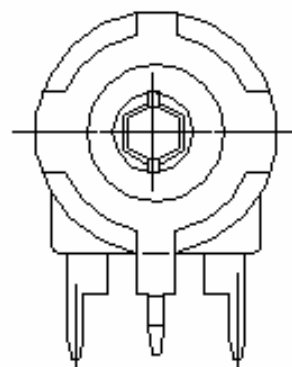
### ROTORS



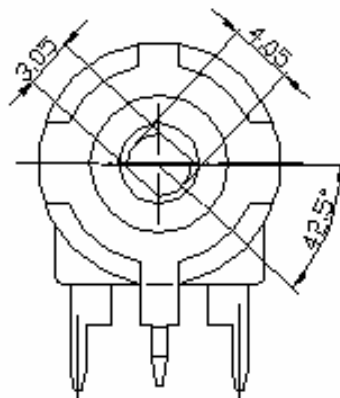
L=  
Screw driver  
thru hole



M=  
Hexagonal  
thru hole



N=  
Removable shaft  
or thumbwheel



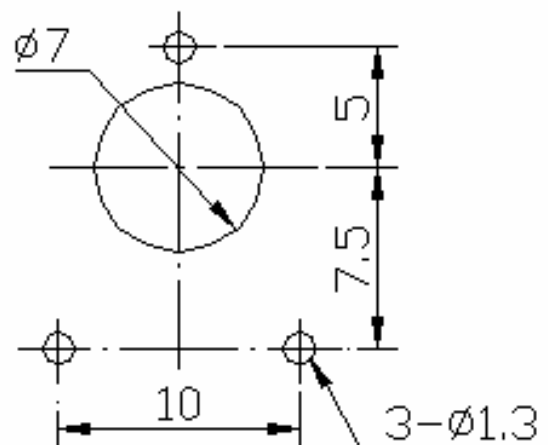
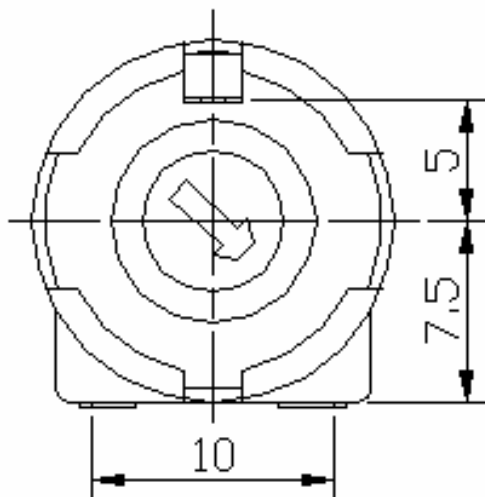
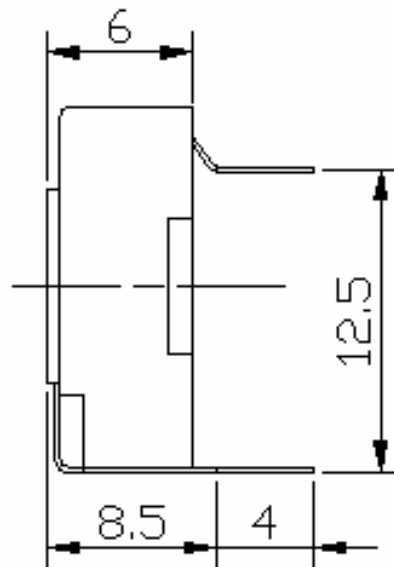
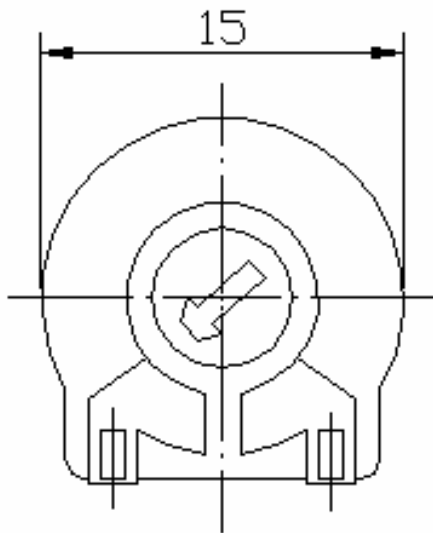
G=  
Removable shaft  
or thumbwheel



## PT-15 Carbon Potentiometer

### MOUNTING METHODS

VA 12.5



V = HORIZONTAL MOUNT – VERTICAL ADJUST

**PT-15 Carbon Potentiometer****Electrical Characteristics**

<b>Range Of Resistance Values</b>	100 $\Omega$ ~5M $\Omega$
<b>Tolerances</b>	100 $\Omega$ -1M $\Omega$ $\pm$ 20%      >1M $\Omega$ -5M $\Omega$ $\pm$ 30%
<b>Resistance Taper</b>	A, B ,C
<b>Residual Resistance</b>	Lin. $\leq$ 5 $\times 10^{-3}$ Rn      Log. Lnic. $\leq$ 1 $\times 10^{-3}$ Lin. 2 $\Omega$ Log. Fin. $\leq$ 2 $\times 10^{-2}$
<b>Contact Resistance Variation</b>	$\leq$ 3%Rn
<b>Contact Resistance</b>	$\leq$ 5%Rn
<b>Maximum Power (At40°C)</b>	0.25W 0.13W
<b>Maximum Voltage</b>	250V 200V
<b>Operating Temperature</b>	-25°C ~+70°C
<b>Temperature Coefficient</b>	100 $\Omega$ ~100K $\Omega$ $\pm$ 300ppm/°C

**Mechanical Characteristics**

<b>Wiper Torque</b>	0.4~2Ncm    0.5~2.5Ncm
<b>Angle Of Rotation (Mechanical)</b>	265°
<b>Torque</b>	0.5 to2.5Ncm