



24mm Wire Wound Potentiometer

PW24



Part Number

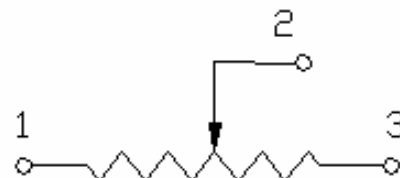
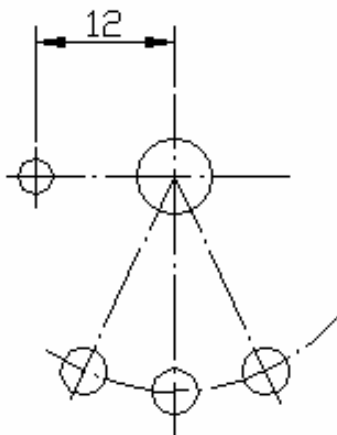
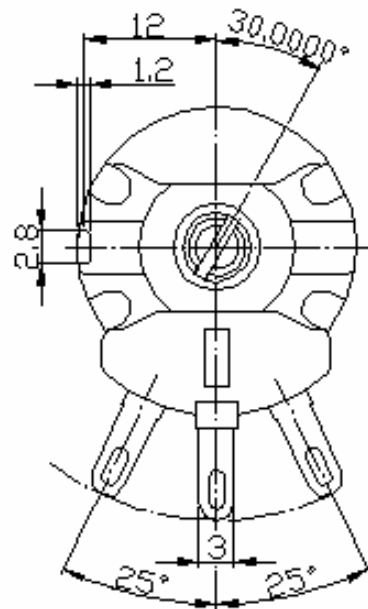
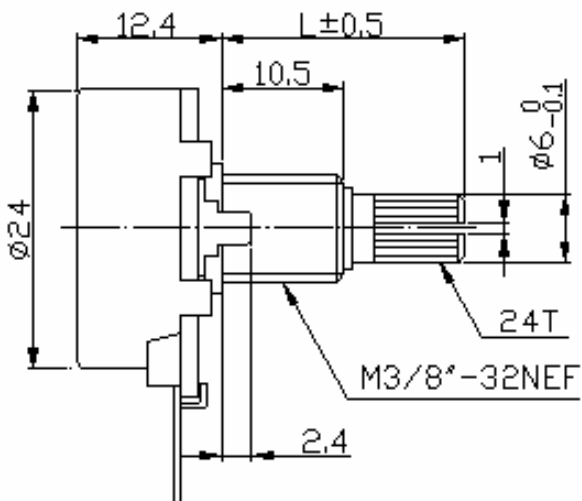
PW24- 10Ω, L - 17 KC

Resistance Value

Shaft Type

Shaft Length

Dimensions





24mm Wire Wound Potentiometer

MECHANICAL SPECIFICATION

1. ANGLE : $300^{\circ} \pm 5^{\circ}$
2. ROTATIONAL TORQUE : 50~300g/cm
3. NUT FASTENING STRENGTH : 10~12 kgf.cm
4. SHAFT ANTI ROTATION STRENGTH : 1 kgf over
5. ROTATIONAL LIFE : 15,000 cycles min

ELECTRICAL SPECIFICATION :

1. RATED POWER : DC- 5 W
2. RESISTANCE TAPER : B TAPER
3. RESISTANCE TOLERANCE : $\pm 20\%$
4. INSULATION RESISTANCE : over 100M ohm with DC500V put between the terminal and the shaft.
5. WITHSTANDING VOLTAGE : one minute against 50HZ 500V put between the terminal and the shaft.
6. TEMPERATURE RANGE : $-10^{\circ} \sim 70^{\circ} \text{C}$ degree
7. RESISTANCE RANGE : 5 ohm ~ 2 K ohm