



## 40mm Wire Wound Potentiometer

**PW40**



### Part Number

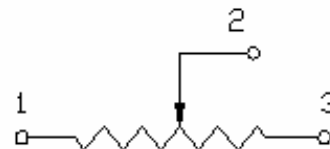
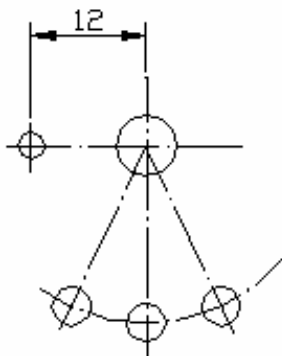
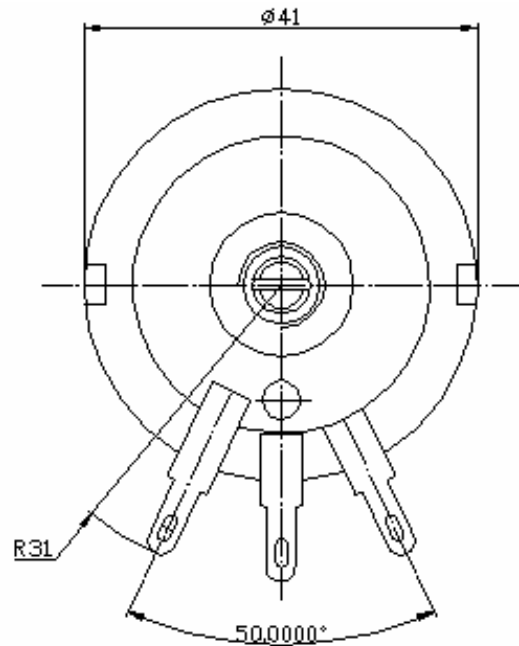
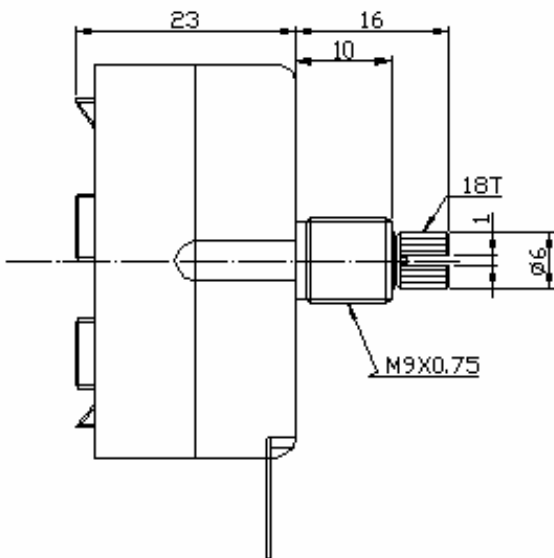
**PW40- 10Ω, L - 20 KC**

Resistance Value

Shaft Type

Shaft Length

### Dimensions





**40mm Wire Wound Potentiometer**

**MECHANICAL SPECIFICATION:**

1. ANGLE :  $300^{\circ} \pm 5^{\circ}$
2. ROTATIONAL TORQUE : 50~300g/cm
3. NUT FASTENING STRENGTH : 10~12 kgf.cm
4. SHAFT ANTI ROTATION STRENGTH : 1 kgf over
5. ROTATIONAL LIFE : 15,000 cycles min

**ELECTRICAL SPECIFICATION :**

1. RATED POWER : DC- 15 W
2. RESISTANCE TAPER : B TAPER
3. RESISTANCE TOLERANCE :  $\pm 20\%$
4. INSULATION RESISTANCE : over 100M ohm with DC500V put  
between the terminal and the shaft.
5. WITHSTANDING VOLTAGE : one minute against 50HZ 500V put  
between the terminal and the shaft.
6. TEMPERATURE RANGE :  $-10^{\circ} \sim 70^{\circ} \text{C}$  degree
7. RESISTANCE RANGE : 5 ohm ~ 3 K ohm