



9mm Snap-In Insulated Shaft Potentiometer

R0901G



Part Number

R0901G – B 50K , L- 20 F /H=6.5

Taper

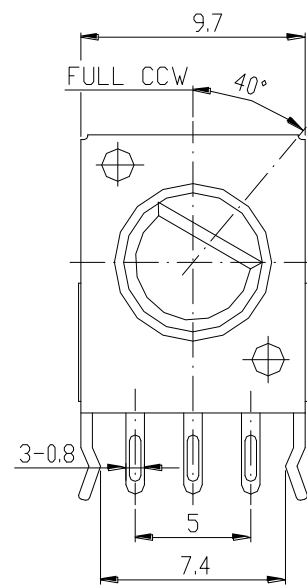
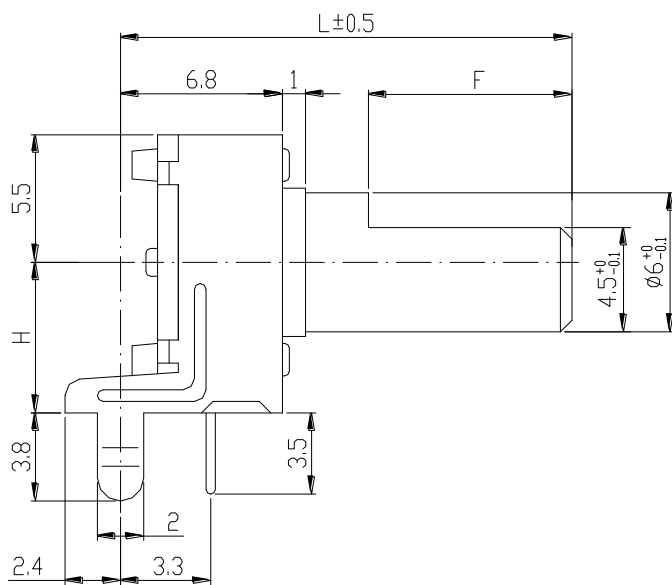
Shaft Length

High

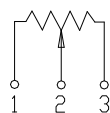
Resistance value

Shaft Type

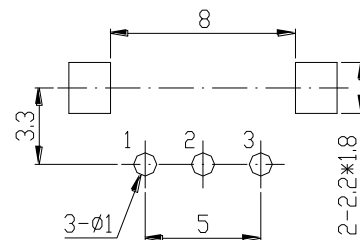
Dimensions



CIRCUIT



PCB LAYOUT



H	6.5	10	12.5
----------	------------	-----------	-------------



9mm Snap-In Insulated Shaft Potentiometer

Shaft Type

KT Type				F Type				
L	9.5	15	20	L	15	20	25	30
A	-	6	7	F	6	7	12	12

KT Type					
L	15	20	25	30	35
A	6	7	7	7	7

**9mm Snap-In Insulated Shaft Potentiometer****General**

Operating temperature	-10 °C ~ +70 °C
Manual soldering	300 °C Max 3sec

Electrical Characteristics

Total resistance	5KΩ ~ 250KΩ
Resistance tolerance	±30%
Resistance taper	A B C
Sliding noise	Less than 80 mV
Residual resistance	Term. 1~2 :Less than 20Ω Term. 2~3 :Less than 40Ω
Insulation resistance	More than 100MΩ at DC 250V
Rated power(W)	0.03W
Max. Operating voltage	AC 50V (for AC only)
Withstand voltage	1 Minute at AC 250 V
Gang error	0dB ~ -40dB ≤ 3dB

Mechanical Characteristics

Total rotational angle	280° ± 5°
Rotational torque	10 ~ 80 gf.cm
Rotational stopper strength	3Kgf.cm Min
Shaft push-pull strength	4Kgf. Max
Rotational life	15,000 Cycles.