



9mm Ultra Thin Micro Rotary Potentiometers

R09N



Part Number

R09N - B 50K / φ10 × 1.8

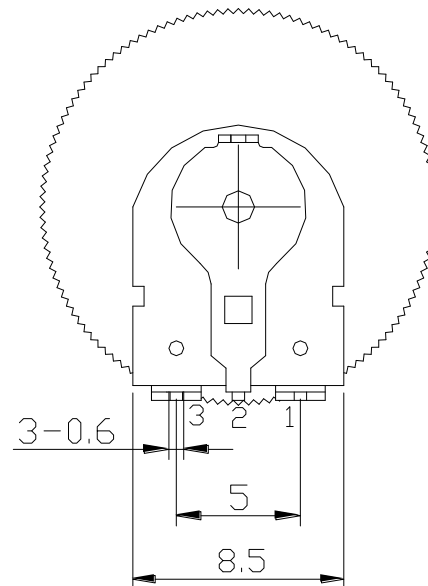
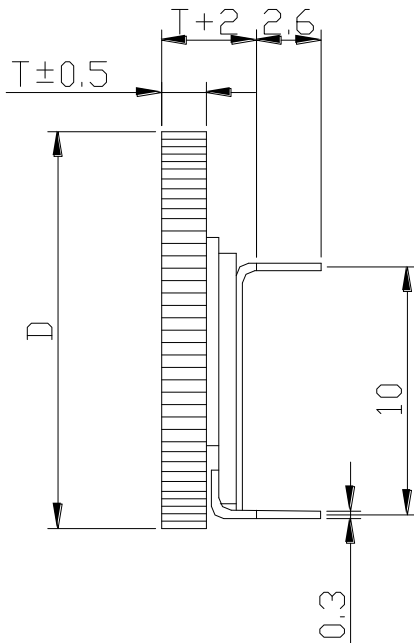
Type

(D)

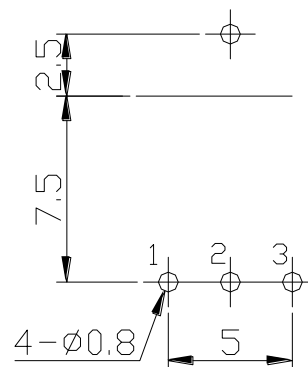
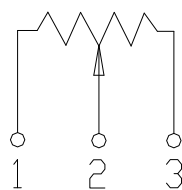
(T)

Resistance value

Dimensions



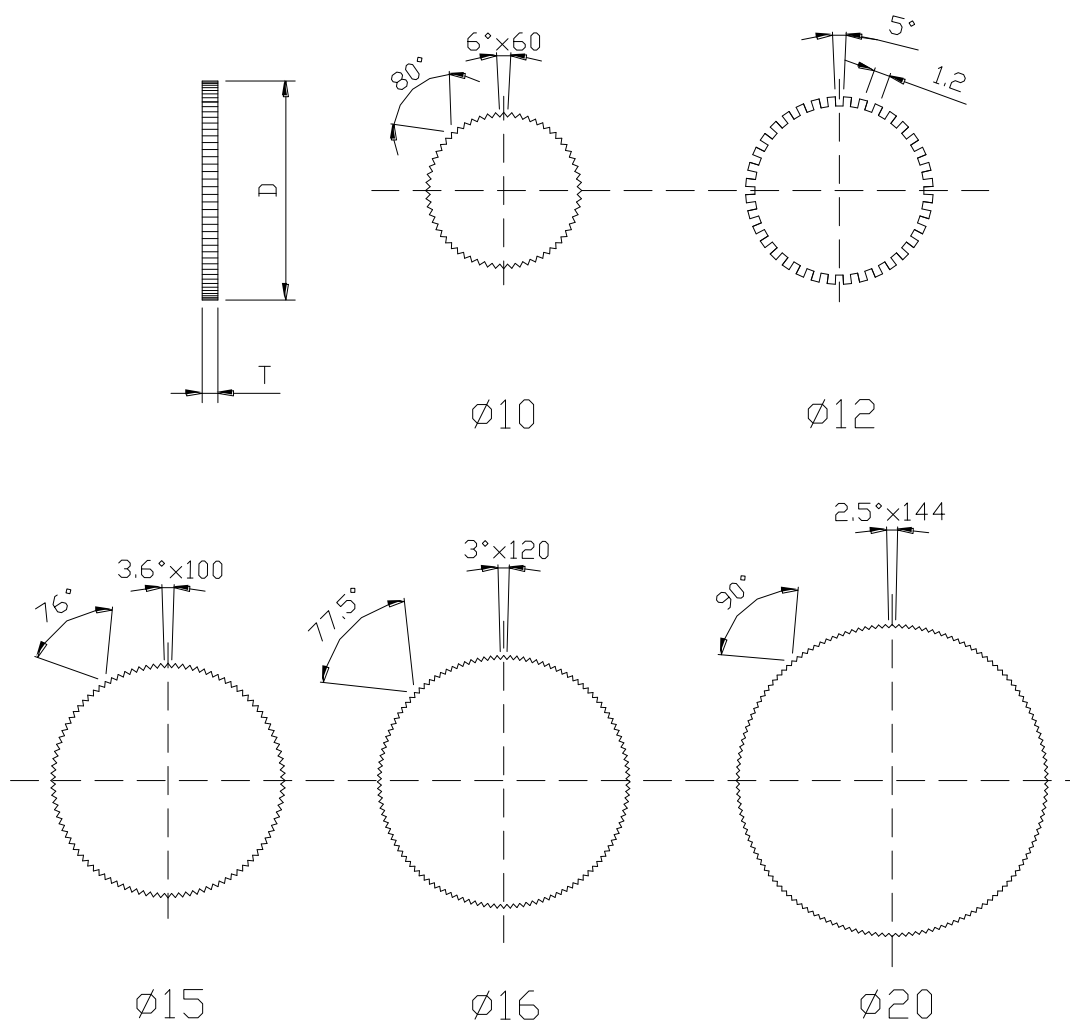
CIRCUIT





9mm Ultra Thin Micro Rotary Potentiometers

Shaft Type



(Unit:mm)

Outside Diameter(D)	Ø10	Ø12	Ø15	Ø16	Ø20
Thickness(T)	1.8	1.9	0.9	1.9	3.0

**9mm Ultra Thin Micro Rotary Potentiometers****General**

Operating temperature	-10 °C ~ +70 °C
Manual soldering	300 °C Max 3sec

Electrical Characteristics

Total resistance	500Ω ~ 1MΩ
Resistance tolerance	±20% (More than 1MΩ ±30%)
Resistance taper	A B C W
Residual resistance	20Ω Max
Sliding noise	Less than 70 mV
Rated power(W)	0.05W
Max. Operating voltage	DC 30V
Insulation resistance	More than 100MΩ at DC 100V
Withstand voltage	1 Minute at AC 100V

Mechanical Characteristics

Total rotational angle	220°±5°
Rotational torque	10 ~ 150 gf.cm
Shaft push-pull strength	Push force 0.5 kgf.Max Pull force 0.2 kgf.Max
Rotational stopper strength	1 Kgf.cm Min
Rotational life	10,000 Cycles