



10mm Ultra Thin Micro Rotary Potentiometers

R1001G21A1

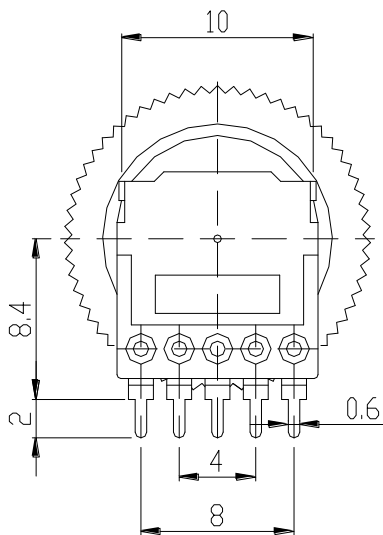


Part Number

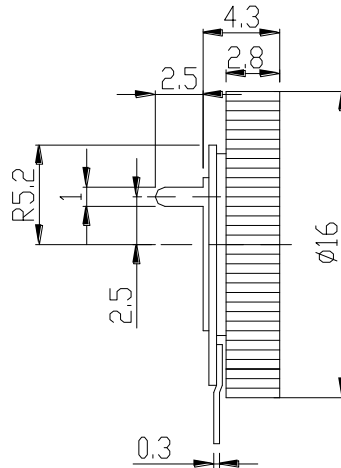
R1001G21A1 - B 50K / φ16 × 2.8

Type (D) (T)
Resistance value

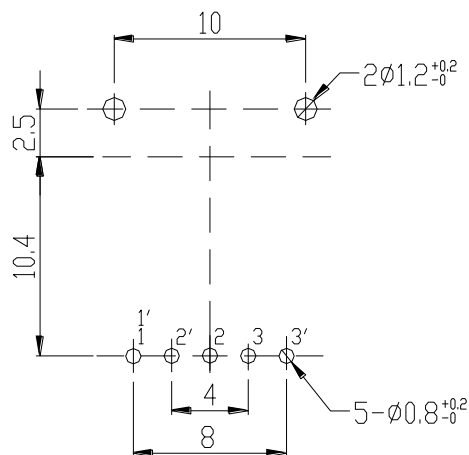
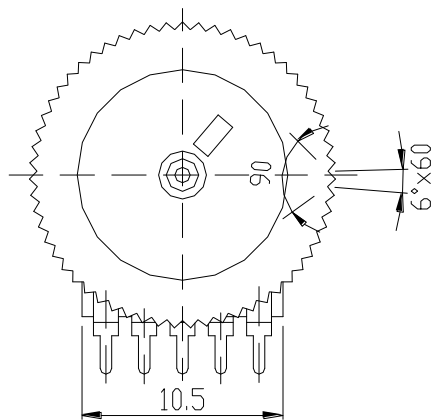
Dimensions



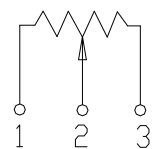
FULL C.C.W POSITION



PCB LAYOUT



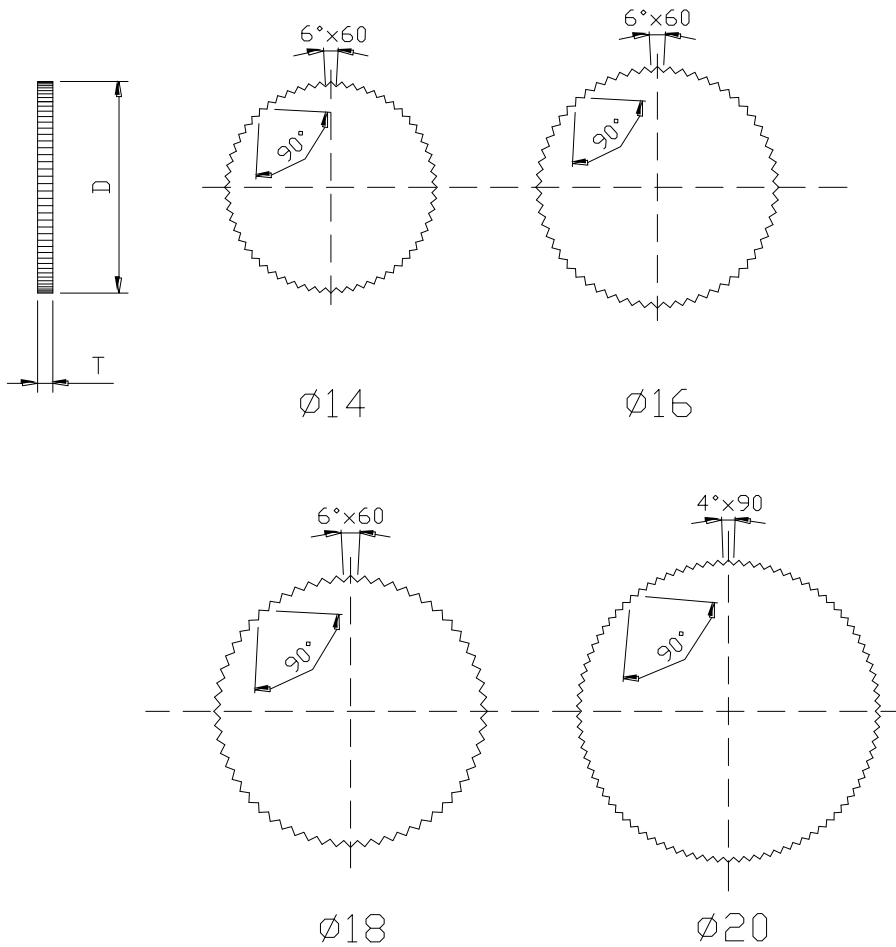
CIRCUIT





10mm Ultra Thin Micro Rotary Potentiometers

Shaft Type



(Unit:mm)

Outside Diameter (D)	ø14	ø14	ø16	ø16	ø16	ø18	ø18	ø18	ø20
Thickness (T)	1.0	2.0	1.0	2.0	2.8	1.0	2.0	2.8	2.0

**10mm Ultra Thin Micro Rotary Potentiometers****General**

Operating temperature	-10 °C ~ +70 °C
Manual soldering	300 °C Max 3sec

Electrical Characteristics

Total resistance	500Ω ~ 1MΩ
Resistance tolerance	±20% (More than 1MΩ ±30%)
Resistance taper	A B C W
Residual resistance	20Ω Max
Sliding noise	Less than 70 mV
Rated power(W)	0.05W
Max. Operating voltage	DC 30V
Insulation resistance	More than 100MΩ at DC 100V
Withstand voltage	1 Minute at AC 100V

Mechanical Characteristics

Total rotational angle	270°±5°
Rotational torque	20 ~ 100 gf.cm
Shaft push-pull strength	Push force 0.5 kgf.Max Pull force 0.2 kgf.Max
Rotational stopper strength	0.8 Kgf.cm Min
Rotational life	10,000 Cycles