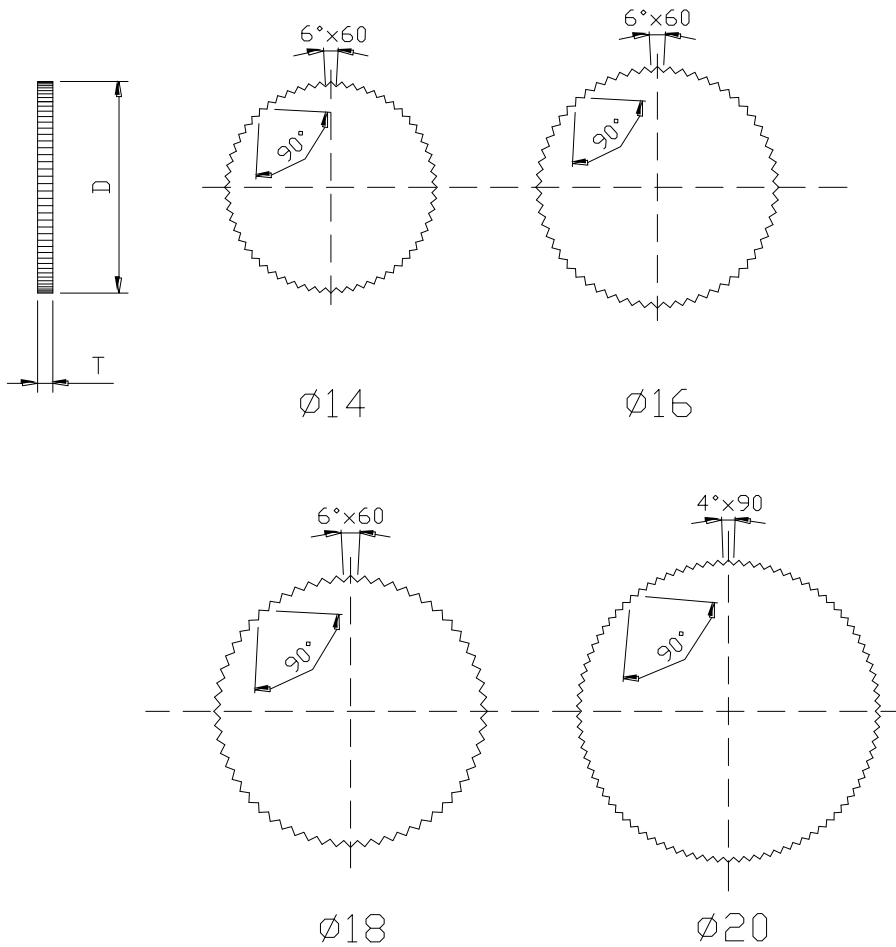




10mm Ultra Thin Micro Rotary Potentiometers

Shaft Type



(Unit:mm)

| | | | | | | | | | |
|----------------------|-----|-----|-----|-----|-----|-----|-----|-----|-----|
| Outside Diameter (D) | Ø14 | Ø14 | Ø16 | Ø16 | Ø16 | Ø18 | Ø18 | Ø18 | Ø20 |
| Thickness (T) | 1.0 | 2.0 | 1.0 | 2.0 | 2.8 | 1.0 | 2.0 | 2.8 | 2.0 |

**10mm Ultra Thin Micro Rotary Potentiometers****General**

| | |
|------------------------------|------------------------|
| Operating temperature | -10 °C ~ +70 °C |
| Manual soldering | 300 °C Max 3sec |

Electrical Characteristics

| | |
|-------------------------------|-----------------------------------|
| Total resistance | 500Ω ~ 1MΩ |
| Resistance tolerance | ±20% (More than 1MΩ ±30%) |
| Resistance taper | A B C W |
| Residual resistance | 20Ω Max |
| Sliding noise | Less than 70 mV |
| Rated power(W) | 0.05W |
| Max. Operating voltage | DC 30V |
| Insulation resistance | More than 100MΩ at DC 100V |
| Withstand voltage | 1 Minute at AC 100V |

Mechanical Characteristics

| | |
|------------------------------------|--|
| Total rotational angle | 270°±5° |
| Rotational torque | 20 ~ 100 gf.cm |
| Shaft push-pull strength | Push force 0.5 kgf.Max Pull force 0.2 kgf.Max |
| Rotational stopper strength | 0.8 Kgf.cm Min |
| Rotational life | 10,000 Cycles |