



## 12mm Metal Shaft Rotary Potentiometers

### R1213N

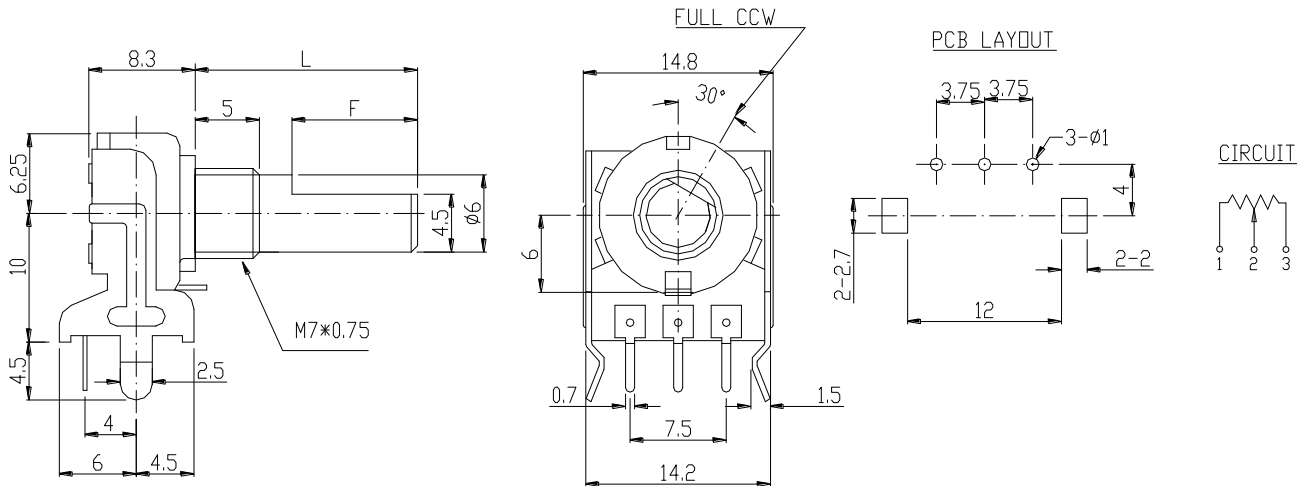


### Part Number

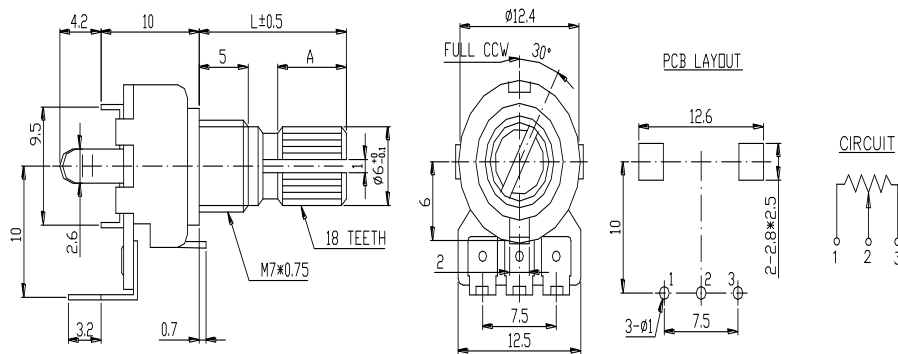
**R1213N - B 50K, L - 20 F / M**

Taper ↓ Resistance Value ↓ Shaft Type ↓  
Shaft Length ↓ Metal ↓

### Dimensions



### Shaft Type



**12mm Metal Shaft Rotary Potentiometers****Electrical Characteristics**

<b>Total Resistance</b>	1K ~ 2M $\Omega$				
<b>Total Resistance Tolerance</b>	$\pm 20\%$				
<b>Resistance Taper</b>	A. B. C. D. W. Taper				
<b>Resistance Taper Characteristics</b>	A50%	B50%	C50%	D50%	W50%
	15-25%	40-60%	75-85%	2-15%	45-55%
<b>Rated Power</b>	0.05 W				
<b>Residual Resistance</b>	R $\geq$ 250K $\Omega$ 0.1%				
	250K $\Omega$ > R > 10K $\Omega$		20 $\Omega$ Max.		
	10K $\Omega$ $\geq$ R		20 $\Omega$ Max.		
<b>Gang Error</b>	-40 ~ 0db $\leq$ 3 db				
<b>Noise</b>	47 mV Max.				
<b>Max. Operating Voltage</b>	DC 20 V.				
<b>Insulation Resistance</b>	More than 100M $\Omega$ at DC 250V				
<b>Withstand Voltage</b>	1 minute at AC 300V				
<b>Rotational Life</b>	15,000 Cycles				

**Mechanical Characteristics**

<b>Total Rotational Angle</b>	300° $\pm$ 5°
<b>Stopper Strength</b>	3kgf.cm max./3 Sec .
<b>Rotational Torque</b>	30 ~ 200 gf.cm
<b>Shaft Pull-Push Strength</b>	8kgf.cm max./3 Sec.
<b>Shaft Lever Wobble</b>	0.7x L/20mmp-p max.
<b>Center Click Torque</b>	150 ~ 300 g.cm
<b>Shaft Bending</b>	0.3mm max.
<b>Soldering Heat</b>	300°C , 3s. (Only for Hand-Soldering)
<b>Remark</b>	♣ Insulated shaft of black.