



12mm Molded Case Rotary Potentiometer

R12N1

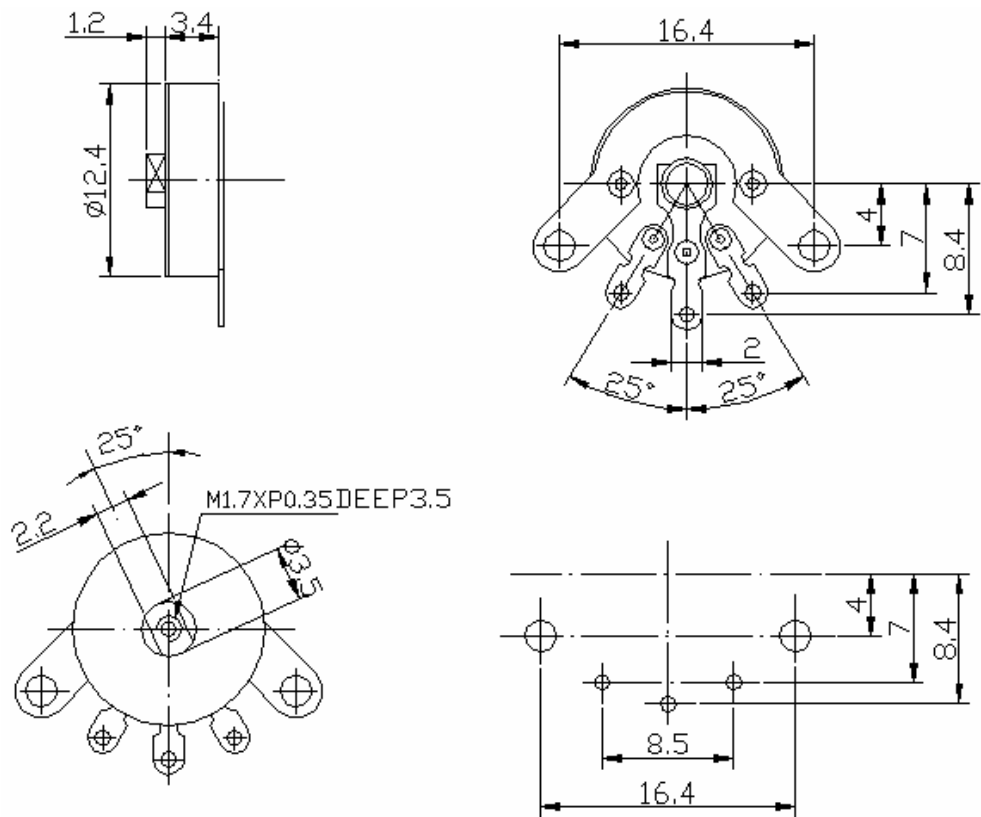


Part Number

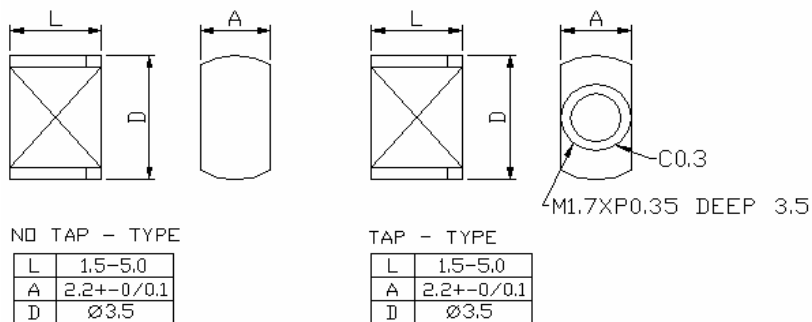
R12N1 - B 50K, L - 1.2

↓ Taper ↓ Resistance Value ↓ Shaft Length
 ↓
 Shaft Length

Dimensions



Shaft Type



NO TAP - TYPE

L	1.5-5.0
A	2.2+-0/0.1
D	Ø3.5

TAP - TYPE

L	1.5-5.0
A	2.2+-0/0.1
D	Ø3.5

**12mm Molded Case Rotary Potentiometer****Electrical Characteristics**

Total Resistance	1K ~ 2M Ω				
Total Resistance Tolerance	1K ~ 1M Ω \pm 20% 1M ~ 2M Ω \pm 30%				
Resistance Taper	A. B. C. D. W. Taper				
Resistance Taper Characteristics	A50%	B50%	C50%	D50%	W50%
	15-25%	40-60%	75-85%	2-15%	45-55%
Rated Power	B Taper: 150V 0.1 W ; Other Taper: 100V 0.05 W				
Residual Resistance	R \geq 250K Ω 0.1% 250K Ω > R > 10K Ω 10 Ω Max. (between Term. 1, 2) 10K Ω \geq R 10 Ω Max. (between Term. 2, 3)				
Noise	47 mV Max.				
Insulation Resistance	DC 500V 50M Ω				
Withstand Voltage	1 minute at AC 500V				
Rotational Life	More than 15,000 Cycles				
Switch Life	More than 10,000 Cycles				

Mechanical Characteristics

Total Rotational Angle	230° \pm 10°
Rotational Torque	20~150gf.cm
Pull-Push Strength	1.0 kgf.cm max./3 sec.
Stop Strength	More than 2kgf cm
Switch Rotational Angle	25° \pm 5°