



16mm Insulated Type Rotary Potentiometer - Single Unit

R16KP2

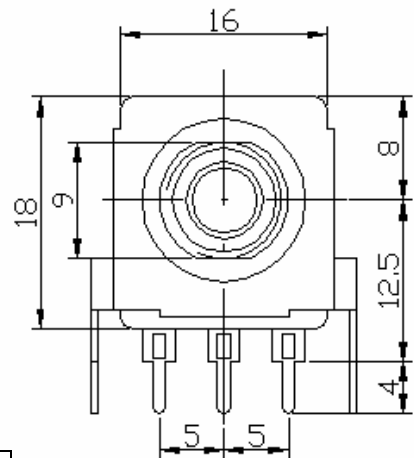
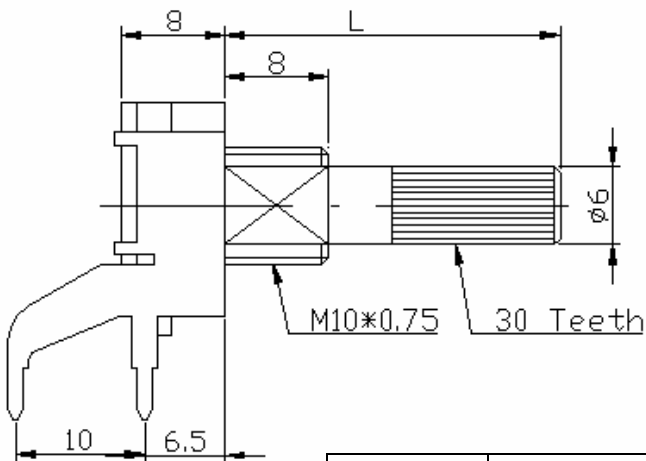


Part Number

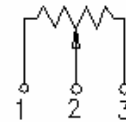
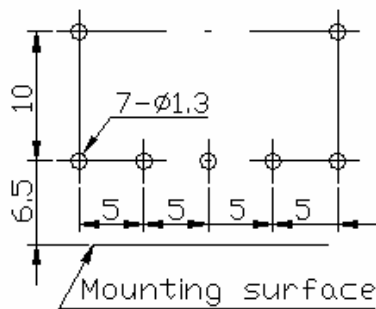
R16KP2 - B 50K, L - 20 KC

Taper Resistance Value Shaft Length Shaft Type

Dimensions



L	20	45
----------	-----------	-----------



**16mm Insulated Type Rotary Potentiometer - Single Unit****Electrical Characteristics**

All Resistance	1K ~ 1M Ω				
All Resistance Tolerance	$\pm 20\%$				
Resistance Taper	A. B. C. Taper				
Resistance Taper Characteristics	A50%	B50%	C50%	D50%	W50%
	15-25%	40-60%	75-85%	2-15%	45-55%
Rated Power	0.5 W				
Residual Resistance	Between Terminal 1~2 10 Ω max. Between Terminal 2~3 10 Ω max.				
Noise	47 mV max.				
Insulation Resistance	200M Ω at 500V DC Min.				
Withstand Voltage	Over 5000V				
Rotational Life	More than 10,000 Cycles				

Mechanical Characteristics

Total Rotational Angle	300° \pm 5°
Stopper Strength	8kgf.cm Min.
Rotational Torque	20~200gf.cm
Solder Heat	300°C,3s (Only For Hand-Soldering)
Remark	Shaft: Plastic Bushing Material: Plastic