



**16mm Insulated Type Rotary Potentiometer - Single Unit with Switch**

**R16KP3S**

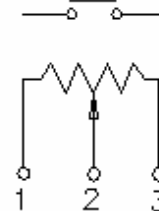
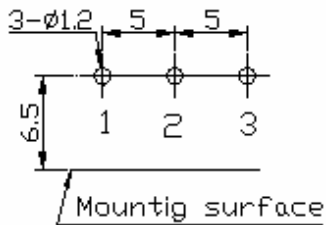
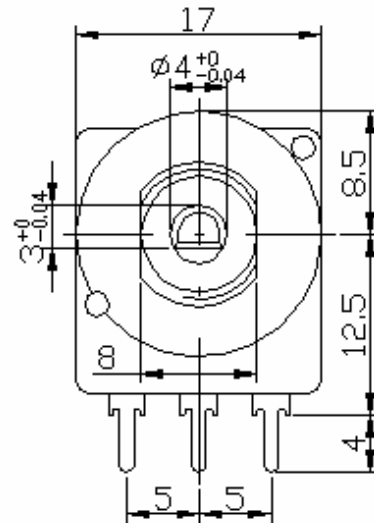
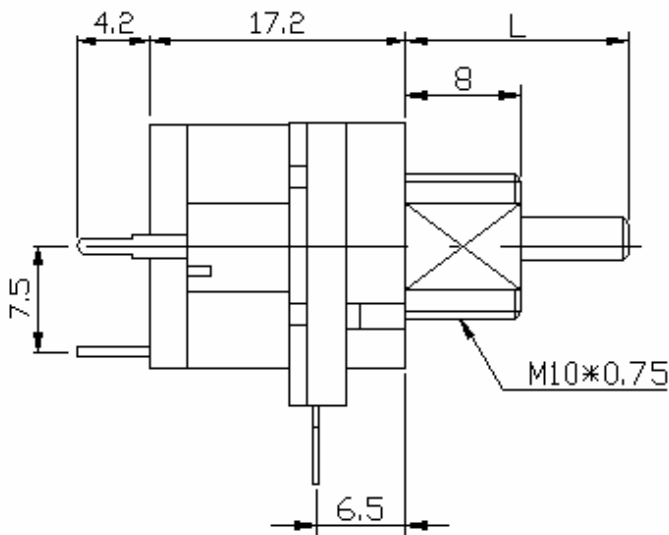


**Part Number**

**R16KP3S - B 50K, L - 20 KC**

↓ Taper      ↓ Resistance Value      ↓ Shaft Length      ↓ Shaft Type

**Dimensions**



**16mm Insulated Type Rotary Potentiometer - Single Unit with Switch****Electrical Characteristics**

<b>All Resistance</b>	1K ~ 1MΩ				
<b>All Resistance Tolerance</b>	± 20%				
<b>Resistance Taper</b>	A. B. C. Taper				
<b>Resistance Taper Characteristics</b>	<b>A50%</b>	<b>B50%</b>	<b>C50%</b>	<b>D50%</b>	<b>W50%</b>
	15-25%	40-60%	75-85%	2-15%	45-55%
<b>Rated Power</b>	0.5 W				
<b>Residual Resistance</b>	Between Terminal 1~2 10Ω max. Between Terminal 2~3 10Ω max.				
<b>Noise</b>	47 mV max.				
<b>Insulation Resistance</b>	200MΩ at 500V DC Min.				
<b>Withstand Voltage</b>	Over 5000V				
<b>Rotational Life</b>	More than 15,000 Cycles				

**Mechanical Characteristics**

<b>Total Rotational Angle</b>	270° ± 5°				
<b>Stopper Strength</b>	8kgf.cm Min.				
<b>Rotational Torque</b>	20~200gf.cm				
<b>Switch Rating</b>	2A at 250V				
<b>Switch Action Distance</b>	3mm				
<b>Solder Heat</b>	300°C,3s (Only For Hand-Soldering)				
<b>Remark</b>	Shaft: Plastic Bushing Material: Plastic				