



## 17mm Metal Shaft Rotary Potentiometer

**R17N1**

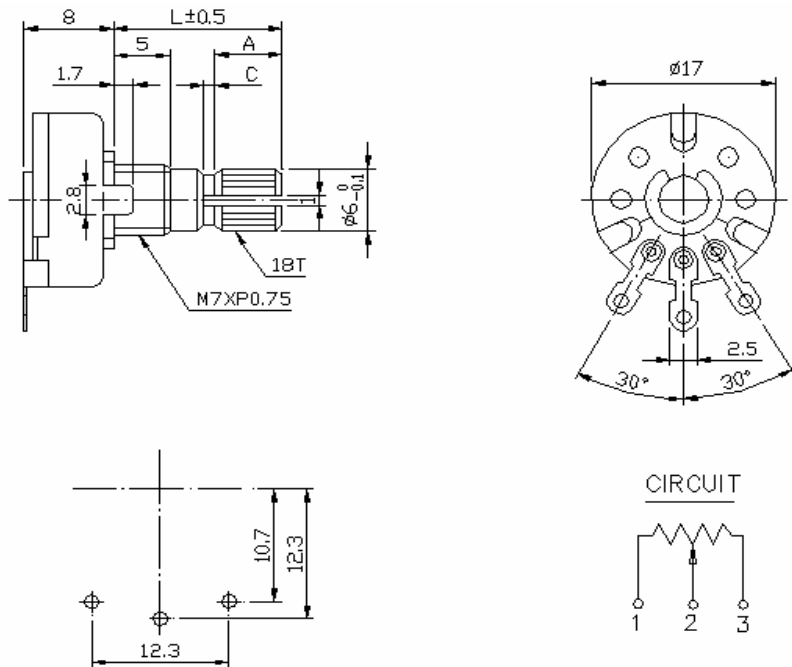


### Part Number

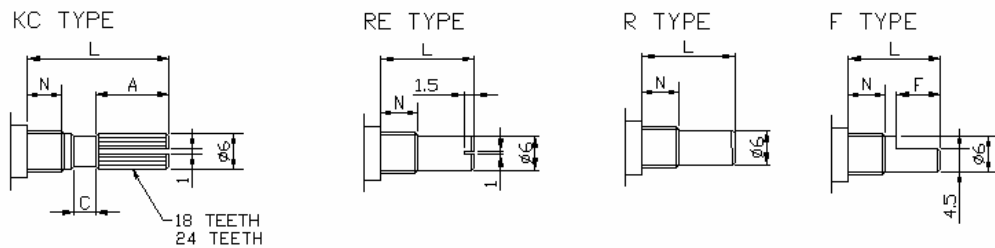
**R17N1 - B 50K, L - 20 KC**

Taper      Resistance Value      Shaft Length      Shaft Type

### Dimensions



### Shaft Type



N:5m/m

SHAFT-TYPE	L	10	15	20	25	30	35	40
KC	A	3.2	6	10	12	12	12	12
	C	0.5	1	2	2	4	4	4
F	F	4	7	12	12	12	12	12
R,RE	L	10	15	20	25	30	35	40



## 17mm Metal Shaft Rotary Potentiometer

### Electrical Characteristics

<b>Total Resistance</b>	100Ω ~ 2MΩ				
<b>Total Resistance Tolerance</b>	1KΩ~1MΩ ± 20% ; 1MΩ~2MΩ & 100Ω~500Ω ± 30%				
<b>Resistance Taper</b>	A. B. C. D. W. Taper				
<b>Resistance Taper Characteristics</b>	A50%	B50%	C50%	D50%	W50%
	15-25%	40-60%	75-85%	2-15%	45-55%
<b>Rated Power</b>	B Taper: 200V 0.1 W; Other Taper: 150V 0.05 W				
<b>Residual Resistance</b>	R ≥ 250KΩ 0.1% 250KΩ > R > 10KΩ      10Ω Max. (between Term. 1, 2) 10KΩ ≥ R                      10Ω Max. (between Term. 2, 3)				
<b>Insulation Resistance</b>	More than 100MΩ at DC 500V				
<b>Withstand Voltage</b>	1 minute at AC 500V				
<b>Rotational Life</b>	More than 15,000 Cycles				
<b>Switch Life</b>	More than 10,000 Cycles				

### Mechanical Characteristics

<b>Total Rotational Angle</b>	260° ± 10°
<b>Bushing Nut Lighting Strength</b>	More than 7 kgf.cm max./ 3sec.
<b>Operating Torque</b>	30~200gf.cm
<b>Pull-Push Strength</b>	8 kgf.cm max./ 3sec.
<b>Switch Rotational Angle</b>	40° ± 5°
<b>Remark</b>	Shaft: Cast Iron or Aluminum Zinc Bushing Material: Cast Iron or Aluminum Zinc