



17mm Metal Shaft Rotary Potentiometer - With Switch

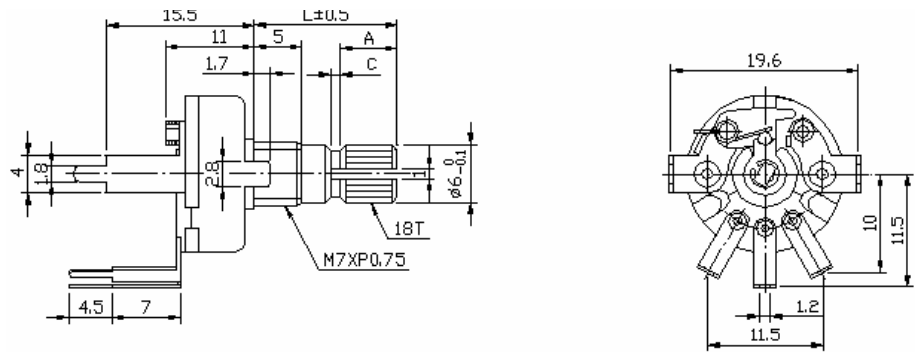


Part Number

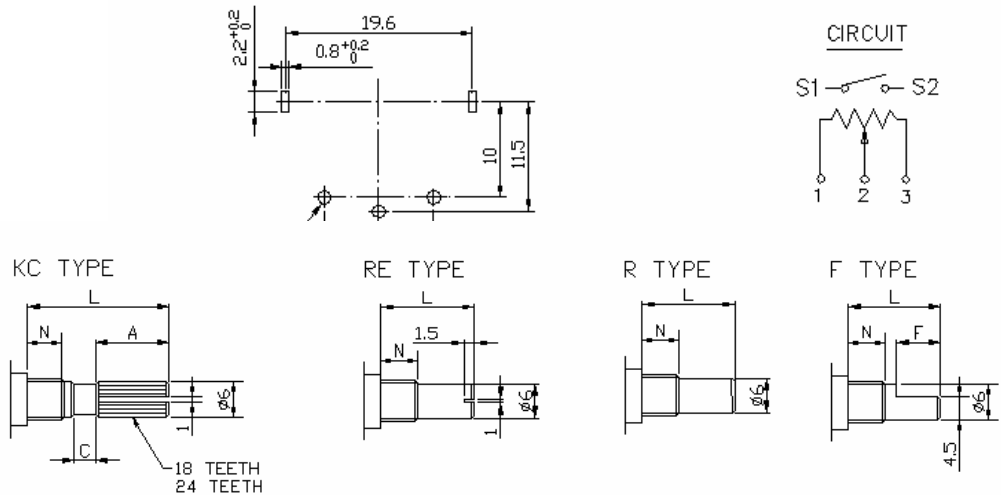
R17S5 - B 50K, L - 20 KC

↓ Taper ↓ Resistance Value ↓ Shaft Type
 With Switch Shaft Length

Dimensions



Shaft Type



N:5m/m

SHAFT-TYPE	L	10	15	20	25	30	35	40
KC	A	3.2	6	10	12	12	12	12
	C	0.5	1	2	2	4	4	4
F	F	4	7	12	12	12	12	12
R,RE	L	10	15	20	25	30	35	40

**17mm Metal Shaft Rotary Potentiometer - With Switch****Electrical Characteristics**

Total Resistance	100Ω ~ 2MΩ				
Total Resistance Tolerance	1KΩ~1MΩ ± 20% ; 1MΩ~2MΩ & 100Ω~500Ω ± 30%				
Resistance Taper	A. B. C. D. W. Taper				
Resistance Taper Characteristics	A50%	B50%	C50%	D50%	W50%
	15-25%	40-60%	75-85%	2-15%	45-55%
Rated Power	B Taper: 200V 0.1 W; Other Taper: 150V 0.05 W				
Residual Resistance	R ≥ 250KΩ 0.1% 250KΩ > R > 10KΩ 10Ω Max. (between Term. 1, 2) 10KΩ ≥ R 10Ω Max. (between Term. 2, 3)				
Insulation Resistance	More than 100MΩ at DC 500V				
Withstand Voltage	1 minute at AC 500V				
Rotational Life	More than 15,000 Cycles				
Switch Life	More than 10,000 Cycles				

Mechanical Characteristics

Total Rotational Angle	260° ± 10°
Bushing Nut Tightening Strength	More than 7 kgf.cm max./ 3sec.
Operating Torque	30~200gf.cm
Pull-Push Strength	8 kgf.cm max./ 3sec.
Switch Rotational Angle	40° ± 5°
Remark	Shaft: Cast Iron or Aluminum Zinc Bushing Material: Cast Iron or Aluminum Zinc