



24mm Metal Shaft Rotary Potentiometer – With Switch

R24S1

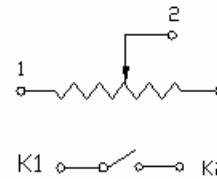
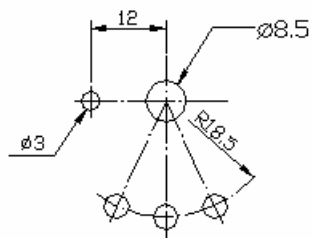
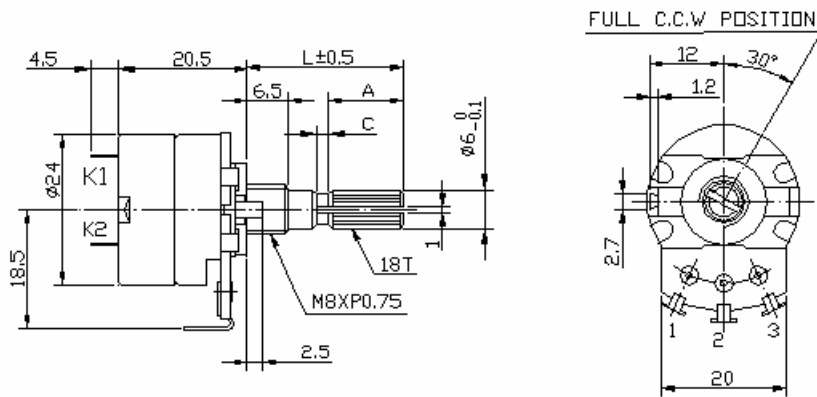


Part Number

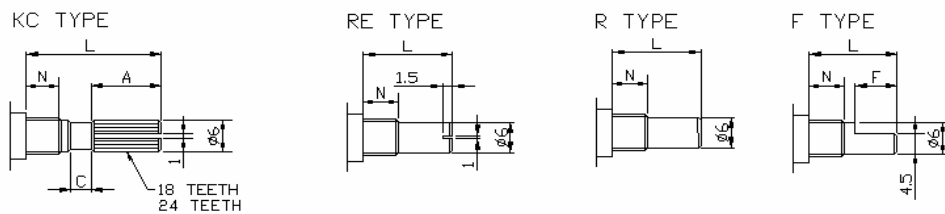
R24S1- B 50K, L - 20 KC

↓ With Switch ↓ Taper Resistance Value ↓ Shaft Length ↓ Shaft Type

Dimensions



Shaft Type



Ni6.5m/m

SHAFT-TYPE	L	10	15	20	25	30	35	40
KC	A	2.2	6	10	12	12	12	12
	C	0.5	1	2	2	4	4	4
F	F	2.5	7	12	12	12	12	12
R,RE	L	10	15	20	25	30	35	40

**24mm Metal Shaft Rotary Potentiometer – With Switch****Electrical Characteristics**

All Resistance	1K ~ 1M Ω				
All Resistance Tolerance	$\pm 20\%$ (more than 1M Ω $\pm 30\%$)				
Resistance Taper	A. B. C. D. W. Taper				
Resistance Taper Characteristics	A50%	B50%	C50%	D50%	W50%
	15-25%	40-60%	75-85%	2-15%	45-55%
Rated Power	B taper: 500V 0.5W; Other Tapers: 250V 0.25 W				
Residual Resistance	$R \geq 250K\Omega$ 0.1%				
	$250K\Omega > R > 10K\Omega$		10 Ω Max.		
	$10K\Omega \geq R$		10 Ω Max.		
Noise	47 mV max.				
Switch Rated Power	AC/DC 125 V 1.0A				
Switch Contact Resistance	0.3 m Ω max.				
Insulation Resistance	More than 100 M Ω at DC 500V				
Withstand Voltage	1 minute at AC 250V				
Rotational Life	15,000 cycles.				

Mechanical Characteristics

Total Rotational Angle	300° \pm 10°
Stopper Strength	5 kgf.cm max./3 sec.
Rotational Torque	30 ~ 200gf.cm
Switch Action	200 ~ 800gf.cm
Switch Rotational Angle	50° \pm 5°
Pull-Push Strength	10 kgf.cm max./3 sec.
Switch Circuit	S.P.S.T.
Solder Heat	300°C, 3s (Only For Hand-Soldering)
Remark	Shaft: Cast Iron, Aluminum Zinc, Plastic Bushing Material: Cast Iron, plastic