



## 16mm Rotary Remote Control Potentiometer

### RC-1603S

(6-Ganged Sealed Type)



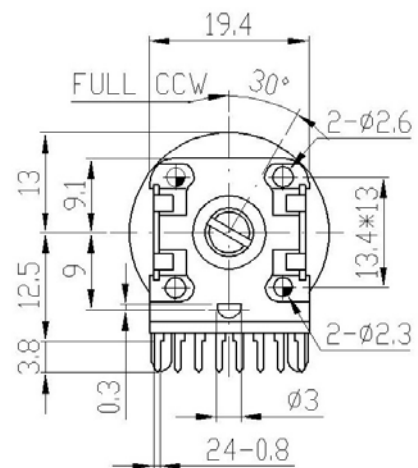
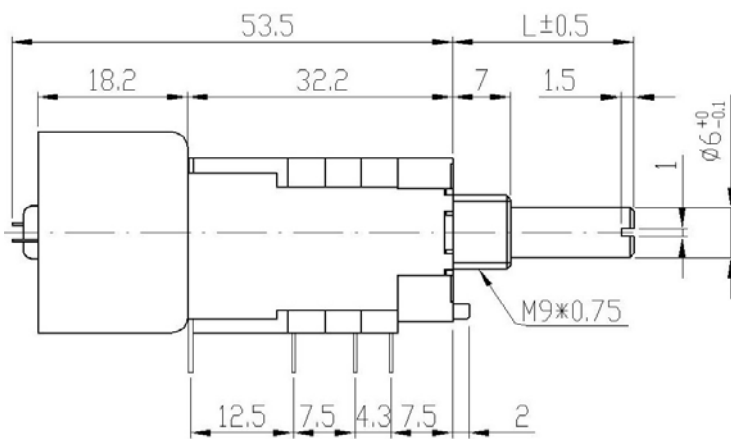
### Part Number

**RC-1603S - B 50K, L - 20 F**

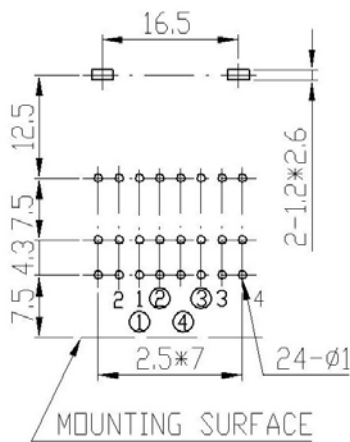
Taper      Resistance Value      Shaft Length      Shaft Type

★ This item is also available with dual units (RC-1601S), 4-ganged (RC-1602S), 8-ganged (RC-1604S).

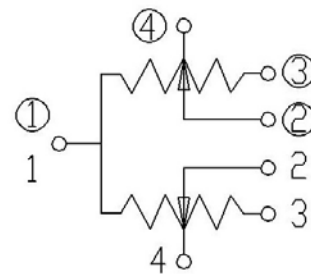
### Dimensions



### PCB LAYOUT



### CIRCUIT

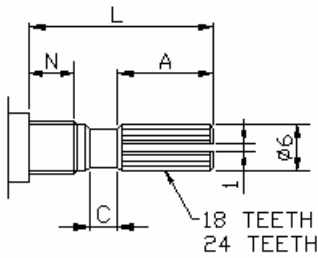




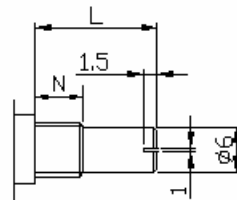
**16mm Rotary Remote Control Potentiometer**

**Shaft Type**

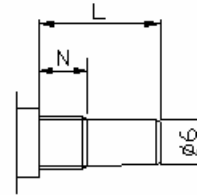
KC TYPE



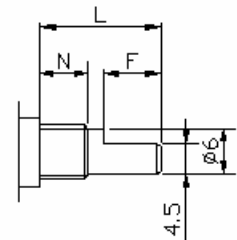
RE TYPE



R TYPE



F TYPE



N:6.5m/m

SHAFT-TYPE	L	10	15	20	25	30	35	40
KC	A	2.2	6	10	10	12	12	12
	C	0.5	1	2	2	4	4	4
F	F	2.5	7	12	12	12	12	12
R,RE	L	10	15	20	25	30	35	40



## 16mm Rotary Remote Control Potentiometer

### Electrical Characteristics

All Resistance	500 $\Omega$ ~ 2M $\Omega$				
All Resistance Tolerance	$\pm$ 20% (More than 1M $\Omega$ $\pm$ 30%)				
Resistance Taper	A. B. C. D. W. Taper				
Resistance Taper Characteristics	A50%	B50%	C50%	D50%	W50%
	15-25%	40-60%	75-85%	2-15%	45-55%
Rated Power	0.063 W				
Max. Operating Voltage	B Taper : AC200V, Other Taper: AC 150V				
Residual Resistance	$R \geq 250K \Omega$ 0.1% $250K \Omega > R > 10K \Omega$ 10 $\Omega$ Max. ( between Term. 1, 2) $20K \Omega \geq R$ 20 $\Omega$ Max. ( between Term. 2, 3)				
Gang Error	-40 ~ 0db $\leq$ 3 db				
Noise	47 mV max.				
Insulation Resistance	Potentiometer Section: DC 250V 100M $\Omega$				
	Motor Section: DC 100V 1M $\Omega$				
Withstand Voltage	1 minute AC 300V				
Motor Voltage	4~6 VDC (4.5 VDC Standard)				
Operating current	100mA Max (at rotation) 150mA Max (at end slip)				
Rotational Life	More than 10,000 Cycles				

### Mechanical Characteristics

Total Rotational Angle	300° $\pm$ 5°
Stopper Strength	8kgf.cm max./3 minute.
Rotational Torque	100~450gf.cm (Hand operation)
Rotational Speed	12 $\pm$ 3 sec. (at 4.5VDC applied to motor)
Solder Heat	300°C,3S. (Only For Hand-Soldering)
Remark	Shaft: Aluminum Zinc; Bushing Material: Cast Iron