



9mm Metal Shaft Rotary Potentiometer – With Switch

RK0975S



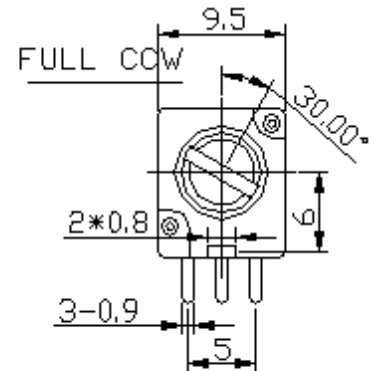
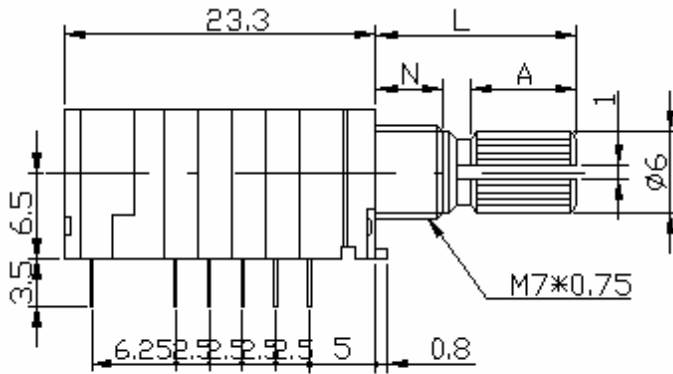
Part Number

RK0975 S- B 50K, L - 20 KC

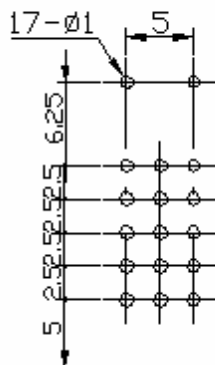
↓ Taper ↓ Resistance Value ↓ Shaft Type

With Switch ↓ Shaft Length

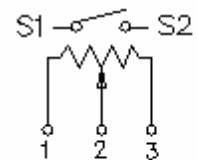
Dimensions



P.C.B LAYOUT



CIRCUIT





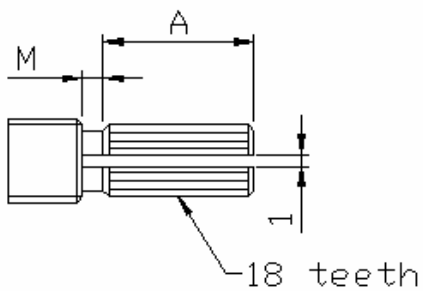
9mm Metal Shaft Rotary Potentiometer

Shaft Type

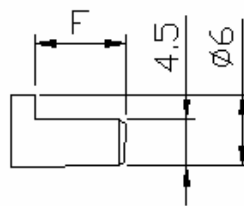
Bushing Length

N	5	7
---	---	---

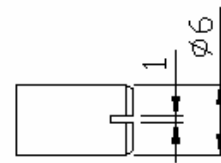
KC TYPE



F TYPE



RE TYPE



KC TYPE

N=5mm

L	12	15	20	25
A	3.5	7.5	12	12
M	0.5	1	2	2

F TYPE

N=5mm

L	15	20	25
F	7	12	12

RE TYPE

N=5mm

L	15	20	25
---	----	----	----

**9mm Metal Shaft Rotary Potentiometer – With Switch****Electrical Characteristics**

Total Resistance	1K ~ 500K Ω				
Total Resistance Tolerance	$\pm 20\%$ (more than 1K $\Omega \pm 30\%$)				
Resistance Tape	A. B. C. D. W. Taper				
Resistance Taper Characteristics	A50%	B50%	C50%	D50%	W50%
	15-25%	40-60%	75-85%	2-15%	45-55%
Rated Power	B Taper 0.05 W , Other Tapers 0.02 W				
Residual Resistance	$R \geq 250K \Omega$ 0.1%				
	$250K \Omega > R > 10K \Omega$ 20 Ω Max.				
	$10K \Omega \geq R$ 20 Ω Max.				
Noise	Less than 100 mV				
Insulation Resistance	DC 250V 100M Ω				
Withstand Voltage	1 minute at AC 300V				
Switch Rating	DC 16V 1A				
Switch Contact Resistance	$\leq 50m \Omega$				
Rotational Life	15,000 Cycles				

Mechanical Characteristics

Total Rotational Angle	300 \pm 5 $^\circ$
Operating Force	20 ~ 250gf.cm
Stopper Strength	5 kgf.cm max.
Switch Working Force	≤ 400 gf.cm
Switch Working Angle	$\leq 50^\circ$
Shaft Push-Pull Strength	10 kgf.cm Max.
Shaft Lever Wobble	0.6 x L/ 20 mm p-p max. (L: lever length both side)
Soldering Heat	300 $^\circ$ C, 3s. (Only for Hand-Soldering)