



21mm Snap-In Rotary Potentiometer

RK-2122G (Dual Units)

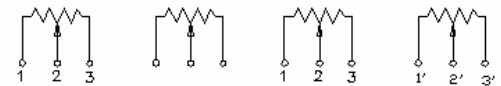
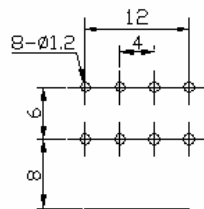
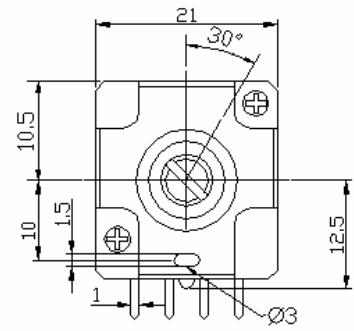
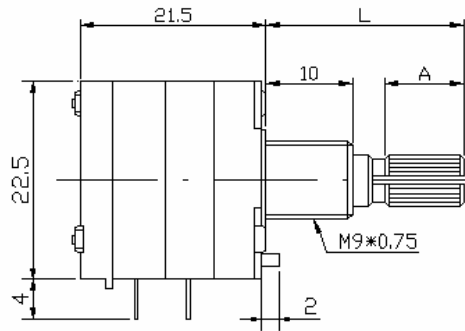


Part Number

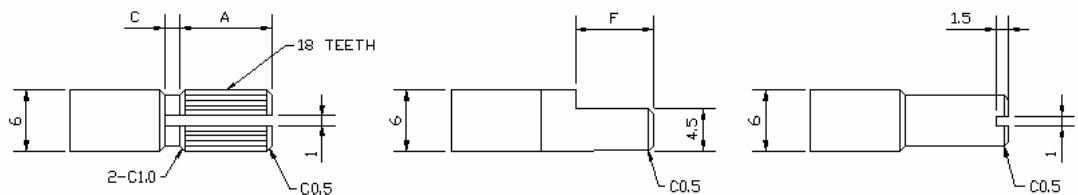
RK-2122G - B 50K, L - 20 KC

↓ Taper ↓ Resistance Value ↓ Shaft Length ↓ Shaft Type

Dimensions



Shaft Type



KC	L	20	25	30
	A	7	10	12
	C	1	2	4
F	L	20	25	30
	F	7	12	12
RE	L	20	25	30

**21mm Snap-In Rotary Potentiometer****Electrical Characteristics**

All Resistance	10K ~ 1M Ω
All Resistance Tolerance	$\pm 20\%$
Resistance Taper	A. B Taper
Resistance Taper Characteristics	A 50% \rightarrow 15-25% B 50% \rightarrow 40-60%
Rated Power	0.05W
Residual Resistance	R \geq 250K Ω 0.1% 250K Ω > R > 10K Ω 20 Ω Max. (between Term. 1, 2) 10K Ω \geq R 20 Ω Max. (between Term. 2, 3)
Gang Error	-50dB \leq 1.5dB Other \leq 3dB
Noise	100 mV Max.
Insulation Resistance	DC 500V 100M Ω
Withstand Voltage	1 minute at AC 500V
Rotational Life	15,000 Cycles

Mechanical Characteristics

Total Rotational Angle	300 $^{\circ}$ \pm 5 $^{\circ}$
Stopper Strength	7 kgf.cm max./ 3 sec.
Operating Force	30 ~ 250gf.cm
Push-Pull Strength	8 kgf.cm Max. / 3 sec.
Shaft Wobble	0.7 x L / 30 mmp-p max.
Solder Heat	300 $^{\circ}$ C, 3s. (only for Hand-Soldering)
Remark	Shaft: Aluminum Zinc Bushing Material: Cast Iron