



21mm Snap-In Rotary Potentiometer

RK-2142G (4-Ganged)

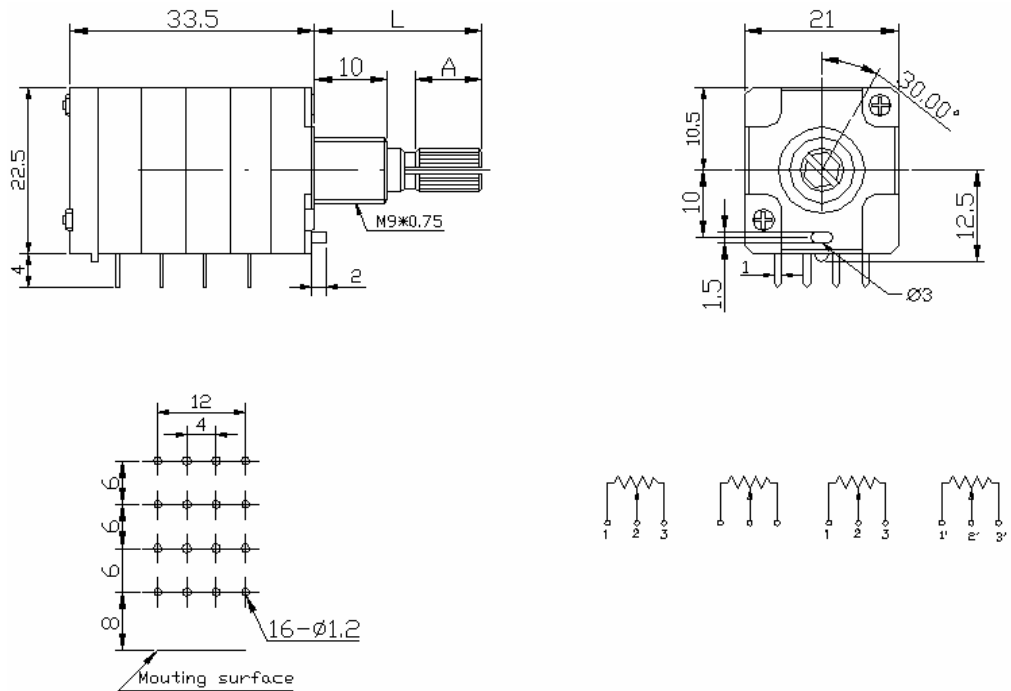


Part Number

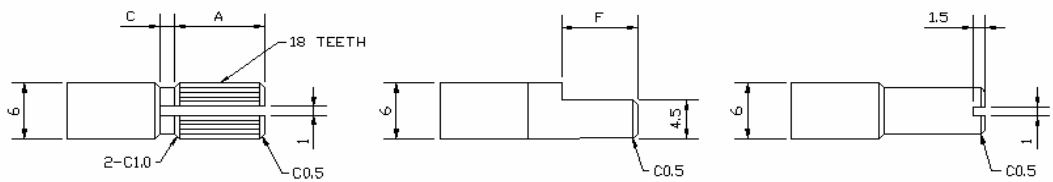
RK-2142G - B 50K, L - 20 KC

↓ Taper ↓ Resistance Value ↓ Shaft Length ↓ Shaft Type

Dimensions



Shaft Type



| | | | | |
|----|---|----|----|----|
| KC | L | 20 | 25 | 30 |
| | A | 7 | 10 | 12 |
| | C | 1 | 2 | 4 |
| F | L | 20 | 25 | 30 |
| | F | 7 | 12 | 12 |
| RE | L | 20 | 25 | 30 |

**21mm Snap-In Rotary Potentiometer****Electrical Characteristics**

| | |
|----------------------------------|------------------------------------------------------------------------------------------------------------------------------------------------------------------------|
| All Resistance | 10K ~ 1M Ω |
| All Resistance Tolerance | $\pm 20\%$ |
| Resistance Taper | A. B Taper |
| Resistance Taper Characteristics | A 50% \rightarrow 15-25% B 50% \rightarrow 40-60% |
| Rated Power | 0.05W |
| Residual Resistance | R \geq 250K Ω 0.1% 250K Ω > R > 10K Ω 20 Ω Max. (between Term. 1, 2) 10K Ω \geq R 20 Ω Max. (between Term. 2, 3) |
| Gang Error | -50dB \leq 1.5dB Other \leq 3dB |
| Noise | 100 mV Max. |
| Insulation Resistance | DC 500V 100M Ω |
| Withstand Voltage | 1 minute at AC 500V |
| Rotational Life | 15,000 Cycles |

Mechanical Characteristics

| | |
|------------------------|-----------------------------------------------------|
| Total Rotational Angle | 300 $^{\circ}$ \pm 5 $^{\circ}$ |
| Stopper Strength | 7 kgf.cm max./ 3 sec. |
| Operating Force | 30 ~ 250gf.cm |
| Push-Pull Strength | 8 kgf.cm Max. / 3 sec. |
| Shaft Wobble | 0.7 x L / 30 mmp-p max. |
| Solder Heat | 300 $^{\circ}$ C, 3s. (only for Hand-Soldering) |
| Remark | Shaft: Aluminum Zinc Bushing Material: Cast Iron |