



## 21mm Snap-In Rotary Potentiometer

**RK-2152G (5-Ganged)**



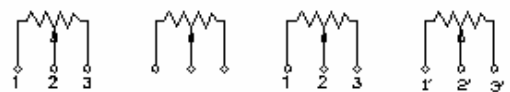
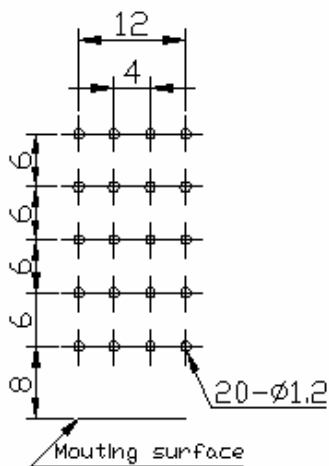
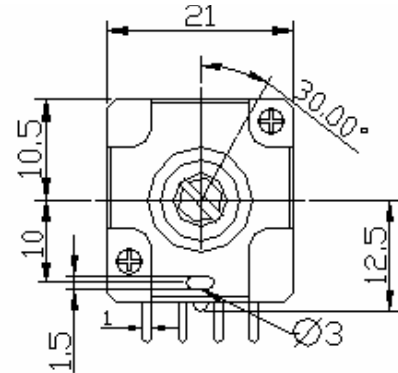
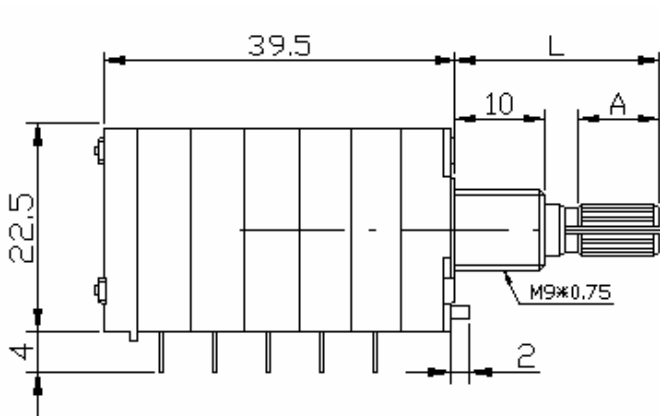
**Part Number**

**RK-2152G- B 50K, L - 20 KC**

↓ Taper      ↓ Resistance Value      ↓ Shaft Type

↓ Shaft Length

### Dimensions



**21mm Snap-In Rotary Potentiometer****Electrical Characteristics**

All Resistance	10K ~ 1M $\Omega$
All Resistance Tolerance	$\pm 20\%$
Resistance Taper	A. B Taper
Resistance Taper Characteristics	A 50% $\rightarrow$ 15-25% B 50% $\rightarrow$ 40-60%
Rated Power	0.05W
Residual Resistance	R $\geq$ 250K $\Omega$ 0.1% 250K $\Omega$ > R > 10K $\Omega$ 20 $\Omega$ Max. ( between Term. 1, 2) 10K $\Omega$ $\geq$ R 20 $\Omega$ Max. ( between Term. 2, 3)
Gang Error	-50dB $\leq$ 1.5dB Other $\leq$ 3dB
Noise	100 mV Max.
Insulation Resistance	DC 500V 100M $\Omega$
Withstand Voltage	1 minute at AC 500V
Rotational Life	15,000 Cycles

**Mechanical Characteristics**

Total Rotational Angle	300 $^{\circ}$ $\pm$ 5 $^{\circ}$
Stopper Strength	7 kgf.cm max./ 3 sec.
Operating Force	30 ~ 250gf.cm
Push-Pull Strength	8 kgf.cm Max. / 3 sec.
Shaft Wobble	0.7 x L / 30 mmp-p max.
Solder Heat	300 $^{\circ}$ C, 3s. (only for Hand-Soldering)
Remark	Shaft: Aluminum Zinc Bushing Material: Cast Iron