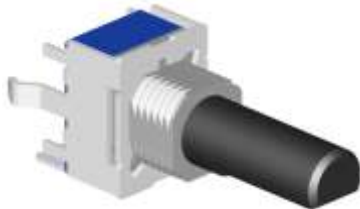




## 9mm Snap-In Insulated Shaft Potentiometer

**RK0914**



**Part Number**

**RK0914 – B 50K , L- 20 F**

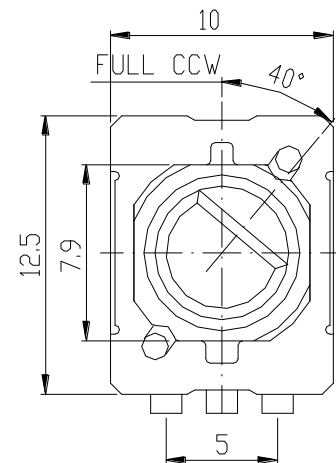
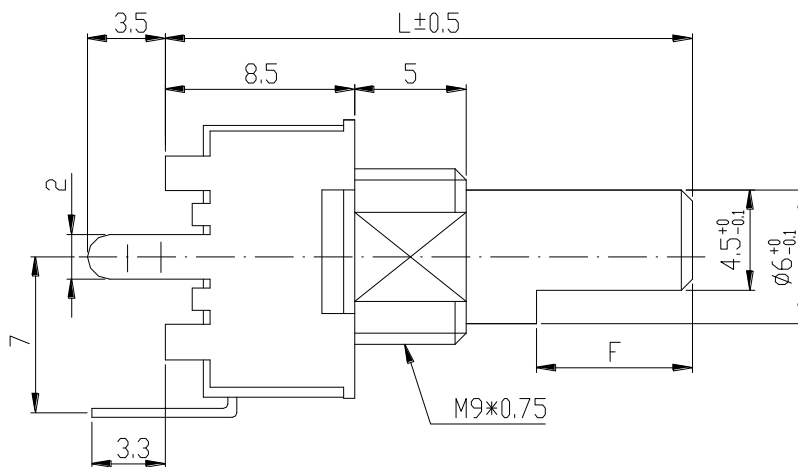
Taper

Resistance value

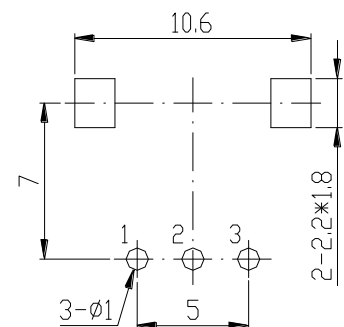
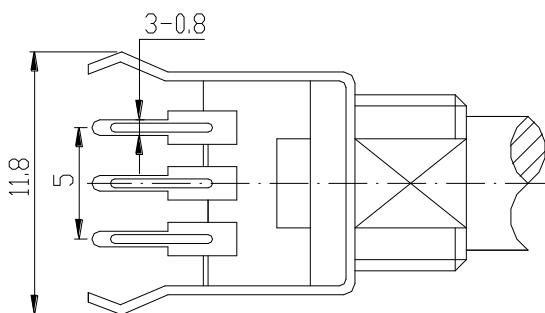
Shaft Length

Shaft Type

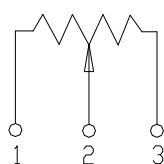
### Dimensions



PCB LAYOUT



CIRCUIT





**9mm Snap-In Insulated Shaft Potentiometer**

**Shaft Type**

| KC Type  |           |           |           | KS Type  |           |           |           | KQ Type  |           |           |           |
|----------|-----------|-----------|-----------|----------|-----------|-----------|-----------|----------|-----------|-----------|-----------|
|          |           |           |           |          |           |           |           |          |           |           |           |
| <b>L</b> | <b>15</b> | <b>20</b> | <b>25</b> | <b>L</b> | <b>15</b> | <b>20</b> | <b>25</b> | <b>L</b> | <b>15</b> | <b>20</b> | <b>25</b> |
| <b>A</b> | <b>7</b>  | <b>7</b>  | <b>7</b>  | <b>A</b> | <b>7</b>  | <b>7</b>  | <b>7</b>  | <b>A</b> | <b>6</b>  | <b>7</b>  | <b>7</b>  |

| KT Type  |           |           |           |           | F Type   |           |           |           |
|----------|-----------|-----------|-----------|-----------|----------|-----------|-----------|-----------|
|          |           |           |           |           |          |           |           |           |
| <b>L</b> | <b>9</b>  | <b>15</b> | <b>20</b> | <b>25</b> | <b>L</b> | <b>15</b> | <b>20</b> | <b>25</b> |
| <b>A</b> | <b>--</b> | <b>6</b>  | <b>7</b>  | <b>7</b>  | <b>A</b> | <b>6</b>  | <b>7</b>  | <b>12</b> |

**9mm Snap-In Insulated Shaft Potentiometer****General**

|                              |                        |
|------------------------------|------------------------|
| <b>Operating temperature</b> | <b>-10 °C ~ +70 °C</b> |
| <b>Manual soldering</b>      | <b>300 °C Max 3sec</b> |

**Electrical Characteristics**

|                               |  |
|-------------------------------|--|
| <b>Total resistance</b>       | <b>500Ω ~ 500KΩ</b>  |
| <b>Resistance tolerance</b>   | <b>±20%</b>  |
| <b>Resistance taper</b>       | <b>A B C</b>   |
| <b>Sliding noise</b>          | <b>Less than 80 mV</b>                                       |
| <b>Residual resistance</b>    | <b>Term. 1~2 :Less than 20Ω<br/>Term. 2~3 :Less than 40Ω</b> |
| <b>Insulation resistance</b>  | <b>More than 100MΩ at DC 250V</b>                            |
| <b>Rated power(W)</b>         | <b>0.05W</b>   |
| <b>Max. Operating voltage</b> | <b>AC 50V / DC 20V</b>                                       |
| <b>Withstand voltage</b>      | <b>1 Minute at AC 250 V</b>                                  |

**Mechanical Characteristics**

|                                    |                       |
|------------------------------------|-----------------------|
| <b>Total rotational angle</b>      | <b>280° ± 10°</b>     |
| <b>Rotational torque</b>           | <b>30 ~ 150 gf.cm</b> |
| <b>Rotational stopper strength</b> | <b>3Kgf.cm Min</b>    |
| <b>Shaft push-pull strength</b>    | <b>4Kgf. Max</b>      |
| <b>Rotational life</b>             | <b>15,000 Cycles.</b> |