



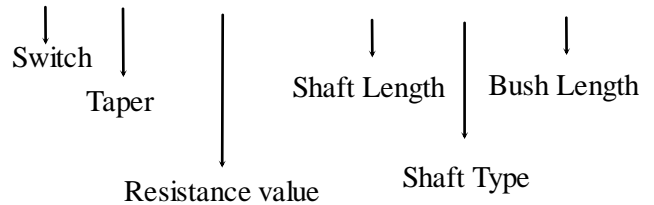
**9mm Metal Shaft Rotary Potentiometer**

**RK0973S**

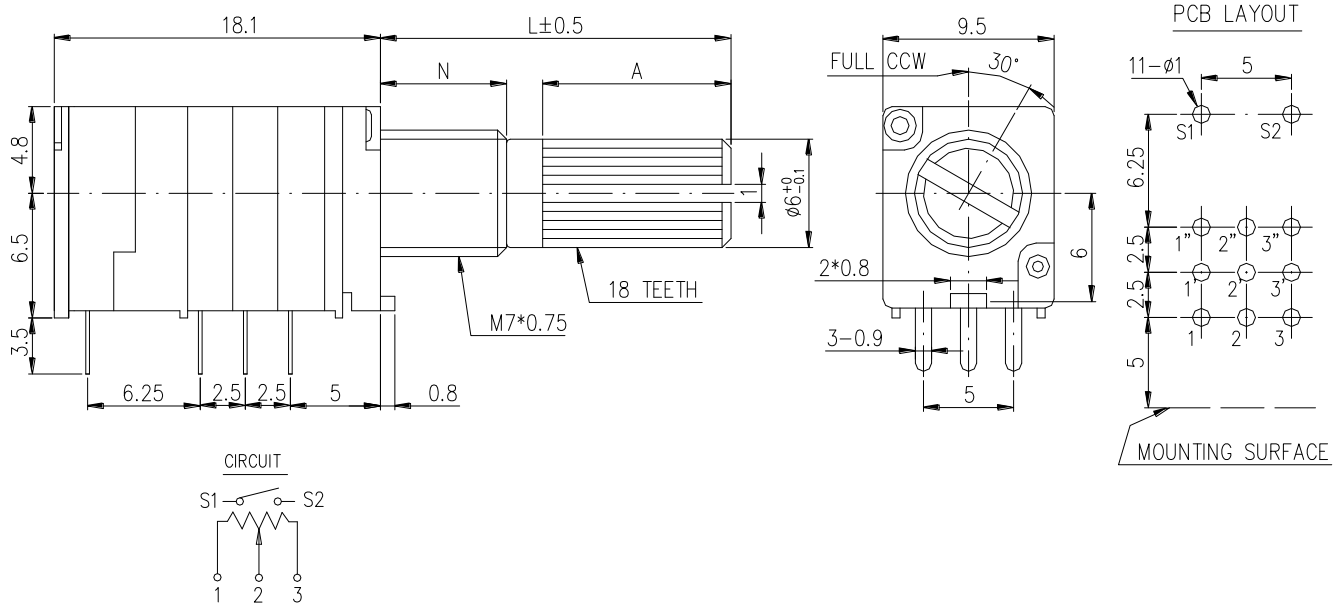


**Part Number**

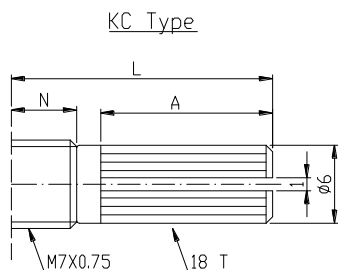
**RK0973 S – B 50K, L- 20 KC/N=5**



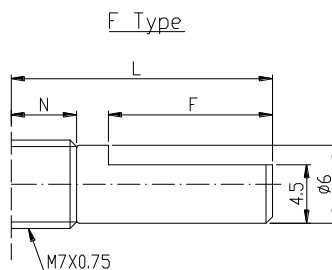
**Dimensions**



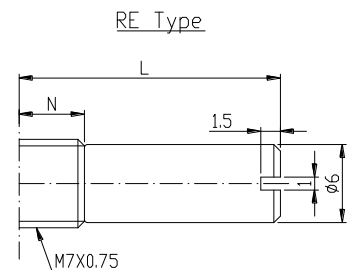
**Shaft Type**



N=5mm			
L	10KC	12.5KC	15KC
A	4	7	7
			20KC
N=7mm			
L	15KC	20KC	25KC
A	7	12	12



N=5mm	
L	15F
F	7
	12
N=7mm	
L	15F
F	7
	12
	25F



N=5mm		
L	8RE	10RE
		15RE
N=7mm		
L	15RE	

**9mm Metal Shaft Rotary Potentiometer****General**

Operating temperature	-10 °C ~ +70 °C
Manual soldering	300 °C Max 3sec

**Electrical Characteristics**

Total resistance	1K $\Omega$ ~ 500K $\Omega$
Resistance tolerance	$\pm 20\%$ (More Than 1M $\Omega$ $\pm 30\%$ )
Resistance taper	A B C W
Sliding noise	Less than 68 mV
Residual resistance	$\leq 20 \Omega$
Switch contact resistance	0.05 $\Omega$
Insulation resistance	More than 100M $\Omega$ at DC 250V
Rated power(W)	0.05W
Switch rated power	DC 16V. 1A
Max. Operating voltage	50V AC
Withstand voltage	1 Minute at AC 300 V
Gang error	Linear (B) taper : 0 ~ -20dB $\leq 2$ dB A/C Other tapers : 0 ~ -40dB $\leq 2$ dB

**Mechanical Characteristics**

Total rotational angle	300° $\pm 5^\circ$
Switch angle	$\leq 50^\circ$
Rotational torque	20 ~ 250 gf.cm
Switch action	400 gf.cm
Rotational stopper strength	4Kgf.cm Min
Shaft push-pull strength	10Kgf. Max
Rotational life	10,000 Cycles. (Switch life: 10,000 Cycles)