



12mm Metal Shaft Rotary Potentiometer – With Switch

RK1222S

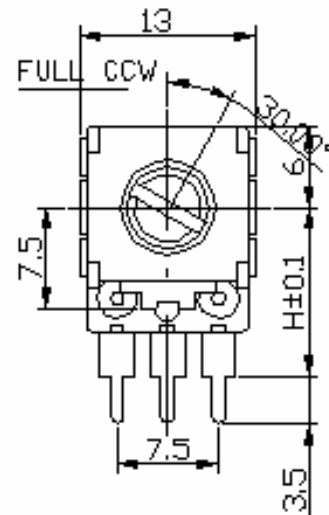
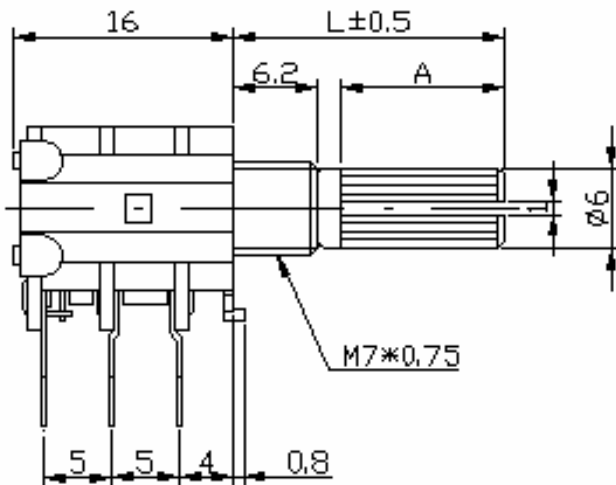


Part Number

RK1222S - B 50K, L - 20 KC

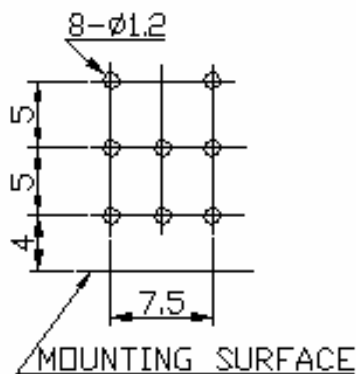
Witch Switch Taper Resistance Value Shaft Type
Shaft Length

Dimensions

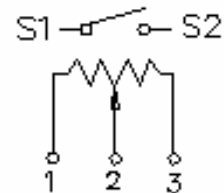


H	10	12.5
----------	-----------	-------------

P.C.B LAYOUT



CIRCUIT

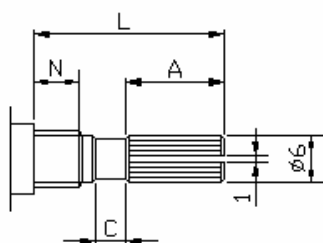




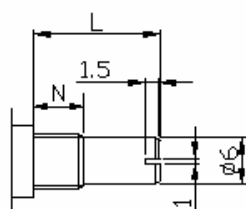
12mm Metal Shaft Rotary Potentiometer – With Switch

Shaft Type

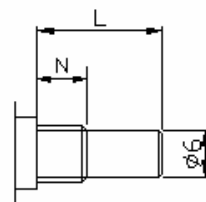
KC TYPE



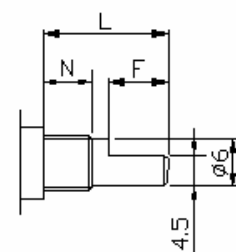
RE TYPE



R TYPE



F TYPE



N:6.2m/m

SHAFT-TYPE	L	10	15	20	25	30	35	40
KC	A	2.2	6	10	12	12	12	12
	C	0.5	1	2	2	4	4	4
F	F	2.5	7	12	12	12	12	12
R,RE	L	10	15	20	25	30	35	40

**12mm Metal Shaft Rotary Potentiometer – With Switch****Electrical Characteristics**

Total Resistance	1K ~ 500K Ω				
Total Resistance Tolerance	$\pm 20\%$ (More than 1M Ω $\pm 30\%$)				
Resistance Taper	A. B. C. D. W. Taper				
Resistance Taper Characteristics	A50%	B50%	C50%	D50%	W50%
	15-25%	40-60%	75-85%	2-15%	45-55%
Rated Power	B Taper : 0.1 W; Other Taper : 0.05 W				
Residual Resistance	R \geq 250K Ω 0.1%				
	250K Ω > R > 10K Ω		20 Ω max. (between Term. 1, 2)		
	10K Ω \geq R		20 Ω max. (between Term. 2, 3)		
Max. Operation Voltage	AC 30V , DC				
Noise	47 mV Max.				
Insulation Resistance	DC 250V 100M Ω				
Withstand Voltage	1 minute at AC 300V				
Rotational Life	15,000 Cycles				

Mechanical Characteristics

Total Rotational Angle	300 $^{\circ}$ \pm 10 $^{\circ}$
Stopper Strength	3 kgf.cm max./3sec.
Rotational Torque	20~200gf.cm
Pull-Push Strength	8 kgf.cm max./ 10sec.
Soldering Heat	300 $^{\circ}$ C , 3s. (Only for Hand-Soldering)
Remark	Shaft: Cast Iron or Aluminum Zinc Bushings Material: Cast Iron or Aluminum Zinc