



Rotary Switch (Band Switch)

RSL25-2



Part Number

RSL25 - 2 - 4 - 6 - 20 KC

Section

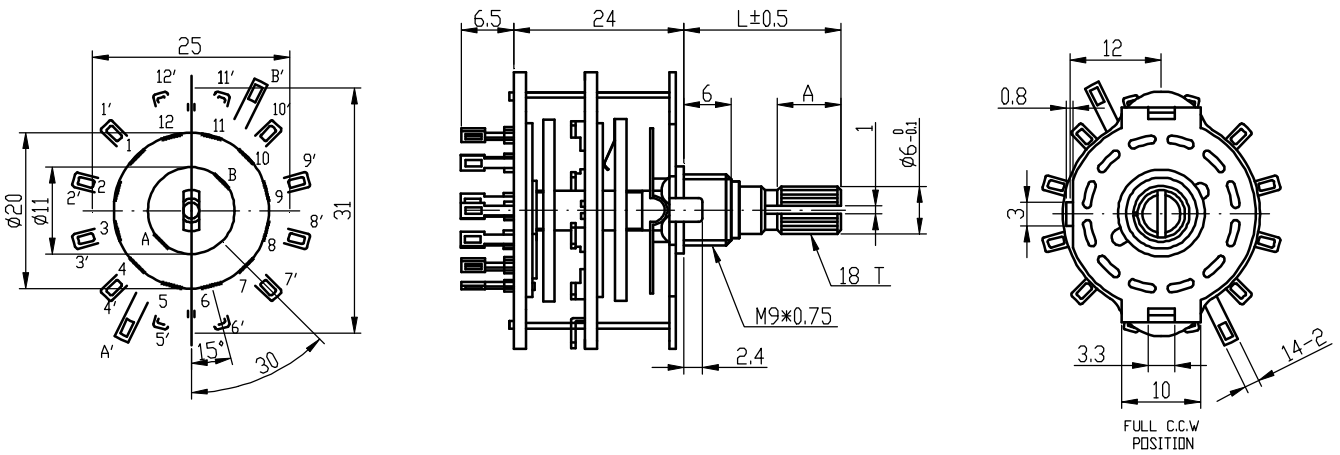
Shaft length

Position

Shaft typ

Pole

Dimensions



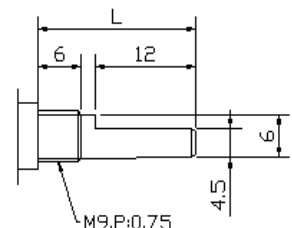
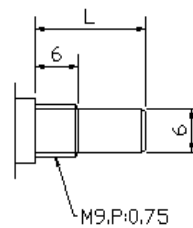
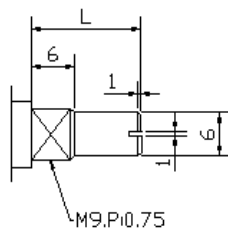
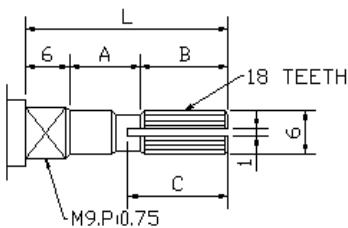
Shaft Type

KC TYPE

RE TYPE

R TYPE

F TYPE



L	15	20	25	30
A	3	4	7	12
B	6	10	12	12
C	7	11	14	14



Rotary Switch (Band Switch)

1. Test Condition :

Standard test conditions shall be 5~35°C in temperature and 45~85%RH in humidity.
Should any doubt arise in judgment test shall be conducted at 20±2°C and 65±5%RH.

2. Electrical Performance :

ITEM	Test condition	Specifications
2.1 Rating	N/A	DC 30V /0.3A AC 125V / 0.3A
2.2 Contact resistance	Shall be measured at 1KHz±200Hz (Max 20mV,Max 50mA)or 5V DC, 1A by a voltage drop method.	Less than 50mΩ
2.3 Insulation resistance	Shall be measured by applying 500V DC, between all terminals and between the terminal and the frame for 1 minute ±5sec.	More than 100MΩ
2.4 Withstand voltage	500V AC(50~60Hz,2mA) shall be applied between all terminals and the frame for 1 minute ±5sec.	

3. Mechanical Performance :

ITEM	Test condition	Specifications
3.1 Operating force	Operating temperature : -10°C~+70°C Storage temperature : -40°C~+85°C	1.0±0.5 kgf.cm
3.2 Control wobble	Shall be measured by applying a static load of 100 gf.cm to the tip of control unit.	Less than 1mm
3.3 Shaft stopper strength	N/A	More than 4 kgf.cm
3.4 Bushing mount strength	N/A	5 kgf.cm MIN
3.5 Soldering	Regarding preheating, the entire flow duration should not exceed 2 minutes, and soldering surface temperature (undersurface PCB) shall be settled with 100°C. Temperature of solder 260±5°C. Duration of dipping 4±0.5 seconds.	More than 90% of the dipped part shall be covered by solder.
3.6 Soldering heat resistance	Flow soldering condition : to be performed in 4±0.5 seconds Max within 260±5°C. Manual soldering in 3±0.5 seconds. Max within 350±5°C.	No abnormalities shall be observed in appearance and operation shall be assured.



Rotary Switch (Band Switch)

4. durability :

ITEM	Test condition	Specifications
4.1 Operating life Under no load	10,000 cycles of operating shall be performed continuously at a rate of 15~20 cycles per minute without load. After operating life test, shall be in accordance with the following specifications.	Contact resistance : Less than 200mΩ. Insulation resistance : more than 50MΩ. Withstand voltage : 250V AC per 1 minute. Operating force : Less than +10%~-30% for initial operating force.
4.2 Operating life Under load	10,000 cycles of operating shall be performed continuously at a rate of 15~20 cycles per minute with resistive load of AC 125V 0.3A. After operating life test, shall be in accordance with the following specifications.	Contact resistance : Less than 500mΩ. Other specifications are same as operating life under no load.