

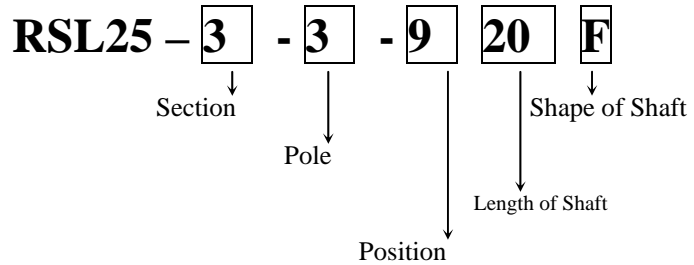


Rotary Switch (Band Switch)

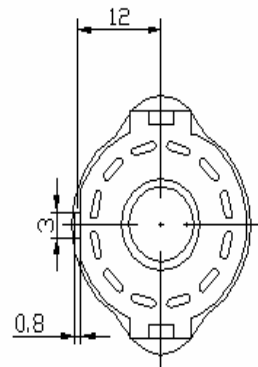
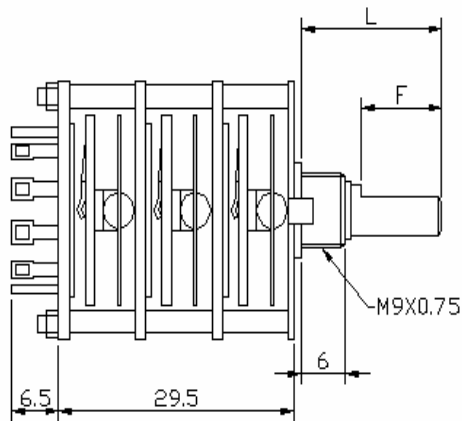
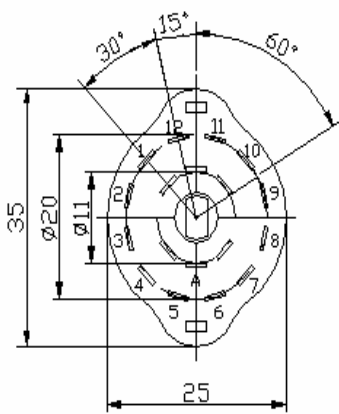
RSL25-3



Part Number



Dimensions



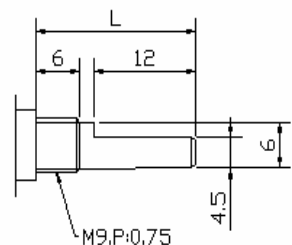
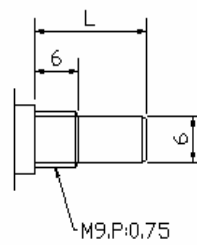
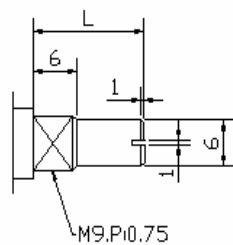
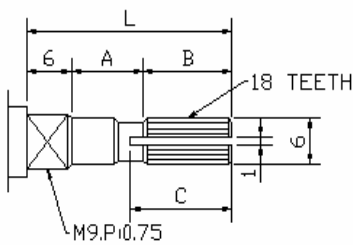
Shaft Type

KC TYPE

RE TYPE

R TYPE

F TYPE



L	15	20	25	30
A	3	4	7	12
B	6	10	12	12
C	7	11	14	14



Rotary Switch (Band Switch)

POWER RATING

DC 30 V. 0.3 A

CONSTRUCTION

- (1.) SHAPE AND DIMENSIONS SUBJECT TO ATTACHED CHART REGULATION.
- (2.) EVERY PART SHOULD BE FINISHED NOT TO EXIST RUST, FLAW, CRACK AND BAD PLATING.

MECHANICAL SPECIFICATION

- (3.) ROTATION TROQUE : 3 kgf.cm.
- (4.) STOPPER STRENGTH : 5kgf.cm FOR 1 MINUTE °
- (5.) TERMINAL STRENGTH : WHEN 400 gf ARE WEIGHTED ON TOP OF TERMINAL IN EVERY DIRECTION FOR ONE MINUTE, LOOSE STALE OF TERMINAL AND DAMAGE ON STATOR BOARD SHOULD NOT EXIST.
- (6.) CHANGE OF SWITCHING TENSION: +/- 30 gf

ELECTRIC SPECIFICATION

- (7.) CONTACT RESISTANCE : LESS THAN 20 mΩ . ON DC 5 V. 1A MEASURED BY VOLTAGE DECREASING METHOD OR MEASURED BY 1 KHZ LESS THAN 2 MV.
- (8.) INSULATION RESISTANCE : MORE THAN 100 mΩ .ON DC 500V MEASURED BY INSULATION TESTER.
- (9.) WITHSTAND VOLTAGE : AC 500 V. 50~60 Hz. FOR 1 MINUTE.

TEMPERATURE RANGE

-20 ~ +60°C

LIFE TEST

- (1.) SPEED OF TESTING MACHINE: 19 1/MIN.
- (2.) SWITCHING: 10,000 CYCLES.
- (3.) CONTACT RESISTANCE: LESS THAN 40 MΩ .