



12mm Metal Shaft Rotary Potentiometer (12mm 金屬軸旋轉電位器)

RK1222

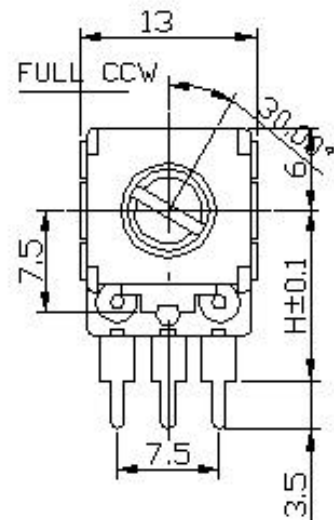
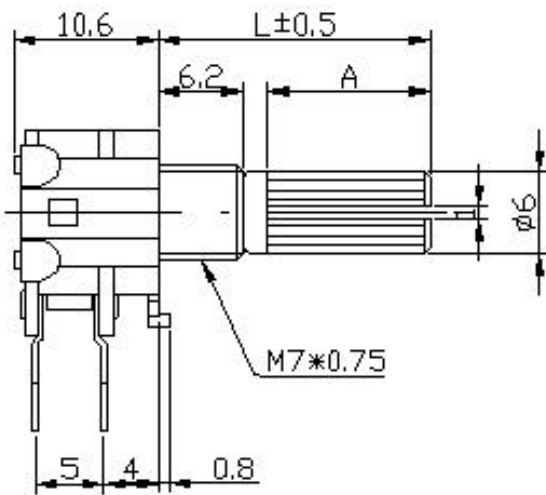


Part Number

RK1222 - **B** **50K**, L - **20** **KC**

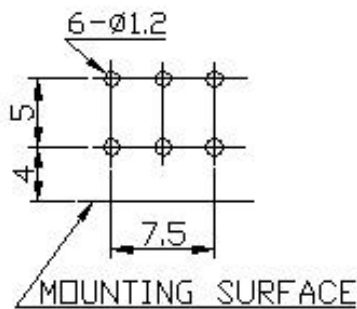
↓ Taper 線性
↓ Resistance Value 阻值
↓ Shaft Length 軸長
↓ Shaft Type 軸型

Dimensions 規格尺寸

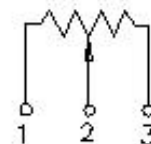


H	10	12.5
---	----	------

P.C.B LAYOUT



CIRCUIT

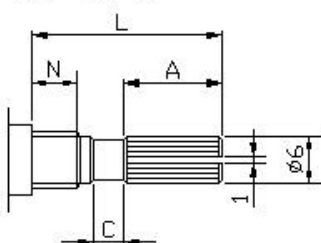




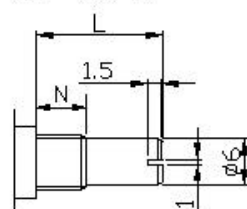
12mm Metal Shaft Rotary Potentiometer (12mm 金屬軸旋轉電位器)

Shaft Type 軸型

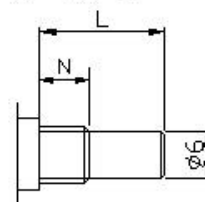
KC TYPE



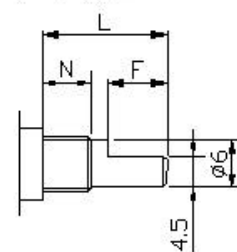
RE TYPE



R TYPE



F TYPE



N:6.2m/m

SHAFT-TYPE	L	10	15	20	25	30	35	40
KC	A	2.2	6	10	12	12	12	12
	C	0.5	1	2	2	4	4	4
F	F	2.5	7	12	12	12	12	12
R,RE	L	10	15	20	25	30	35	40



12mm Metal Shaft Rotary Potentiometer (12mm 金屬軸旋轉電位器)

Electrical Characteristics 電氣特性

Total Resistance 總阻值	1K ~ 500K				
Total Resistance Tolerance 總阻值誤差	± 20% (More than 1M ± 30%)				
Resistance Taper 線性	A. B. C. D. W. Taper				
Resistance Taper Characteristics 阻值變化特性範圍	A50%	B50%	C50%	D50%	W50%
	15-25%	40-60%	75-85%	2-15%	45-55%
Rated Power 定格電力	B Taper : 0.1 W; Other Taper : 0.05 W				
Residual Resistance 殘留阻值	$R \geq 250K$ 0.1%				
	$250K > R > 10K$	20 max. (between Term. 1, 2)			
	$10K \geq R$	20 max. (between Term. 2, 3)			
Max. Operation Voltage 最高使用電壓	AC 30V, DC				
Noise 雜音	47 mV Max.				
Insulation Resistance 絕緣阻抗	DC 250V 100M				
Withstand Voltage 耐電壓	1 minute at AC 300V				
Rotational Life 旋轉壽命	15,000 Cycles				

Mechanical Characteristics 機械特性

Total Rotational Angle 全迴轉角度	300° ± 10°				
Stopper Strength 全迴轉止強度	3 kgf.cm max./3sec.				
Rotational Torque 迴轉扭力	20~200gf.cm				
Pull-Push Strength 推拉強度	8 kgf.cm max./ 10sec.				
Soldering Heat 鐸錫耐熱性	300 , 3s. (Only for Hand-Soldering)				
Remark 備註	Shaft: Cast Iron or Aluminum Zinc Bushing Material: Cast Iron or Aluminum Zinc				