



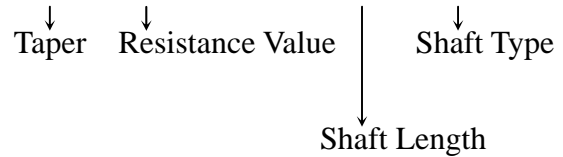
**16mm Metal Shaft & Plastic Bush Rotary Potentiometer – With Switch**

**S16KN3**

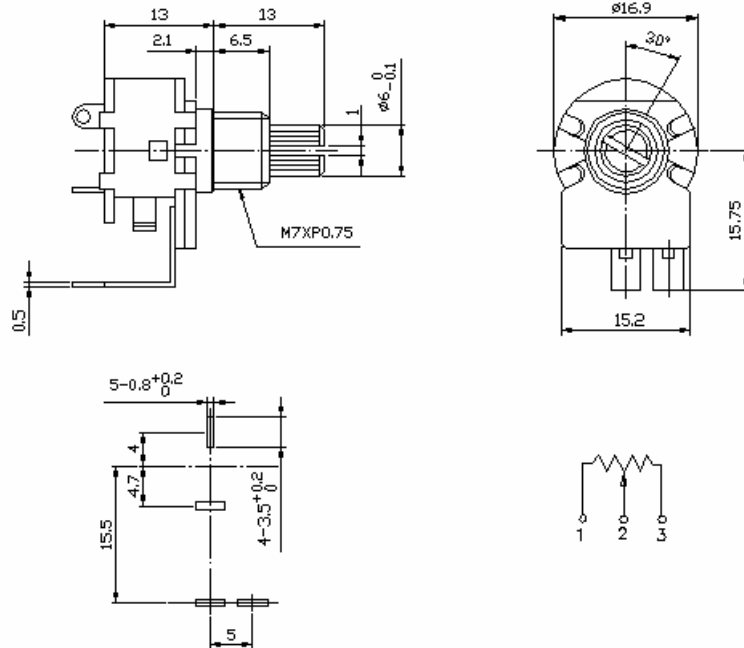


**Part Number**

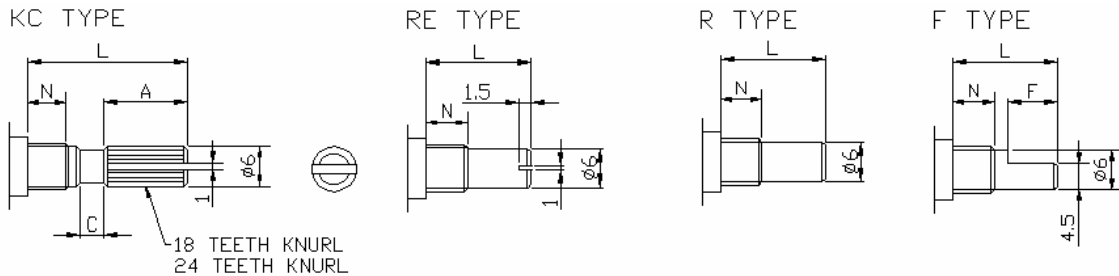
**S16KN3 - B 50K, L - 20 KC**



**Dimensions**



**Shaft Type**



N:5m/m

SHAFT-TYPE	L	10	15	20	25	30	35	40
KC	A	3.2	6	10	12	12	12	12
	C	0.5	1	2	2	4	4	4
F	F	4	7	12	12	12	12	12
R,RE	L	10	15	20	25	30	35	40

N:6.5m/m

SHAFT-TYPE	L	10	15	20	25	30	35	40
KC	A	2.2	6	10	12	12	12	12
	C	0.5	1	2	2	4	4	4
F	F	2.5	7	12	12	12	12	12
R,RE	L	10	15	20	25	30	35	40

**16mm Metal Shaft & Plastic Bush Rotary Potentiometer – With Switch****Electrical Characteristics**

<b>Total Resistance</b>	500 $\Omega$ ~ 2M $\Omega$				
<b>Total Resistance Tolerance</b>	$\pm 20\%$ (More than 1M $\Omega \pm 30\%$ )				
<b>Resistance Taper</b>	A. B. C. D. W. Taper				
<b>Resistance Taper Characteristics</b>	<b>A50%</b>	<b>B50%</b>	<b>C50%</b>	<b>D50%</b>	<b>W50%</b>
	15-25%	40-60%	75-85%	2-15%	45-55%
<b>Rated Power</b>	B Taper: 0.2 W; Other Tapers: 0.1 W				
<b>Max. Operating Voltage</b>	B Taper: AC200V; Other Tapers: AC150V				
<b>Residual Resistance</b>	R $\geq$ 250K $\Omega$ 0.1%				
	250K $\Omega$ > R > 10K $\Omega$		10 $\Omega$ Max. ( between Term. 1, 2)		
	10K $\Omega$ $\geq$ R		10 $\Omega$ Max. ( between Term. 2, 3)		
<b>Noise</b>	47 mV max.				
<b>Insulation Resistance</b>	DC 500V 100M $\Omega$				
<b>Withstand Voltage</b>	1 minute AC 500V				
<b>Rotational Life</b>	15,000 Cycles				
<b>Switch Life</b>	10,000 Cycles				

**Mechanical Characteristics**

<b>Total Rotational Angle</b>	300° $\pm$ 5°
<b>Rotational Torque</b>	30~200gf.cm
<b>Stopper Strength</b>	8kgf.cm max./3 minute
<b>Switch Action</b>	150~450g.cm
<b>Switch Rotational Angle</b>	35° $\pm$ 5°
<b>Pull-Push Strength</b>	7 kgf.cm max./3 minute
<b>Switch Circuit</b>	S.P.S.T.
<b>Solder Heat</b>	300°C,3s (Only For Hand-Soldering)
<b>Remark</b>	Shaft: Cast Iron or Aluminum Zinc. Bushing Material: Cast Iron or Aluminum Zinc.