



15mm Carbon Semi-Fixed Potentiometer

SH-R158

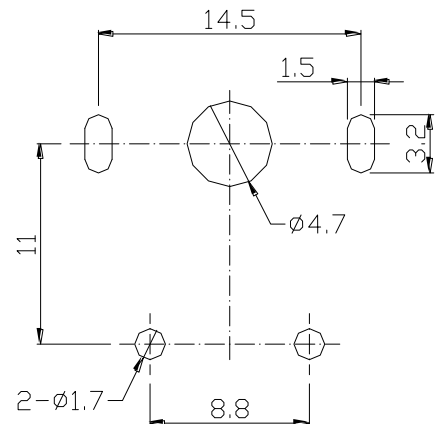
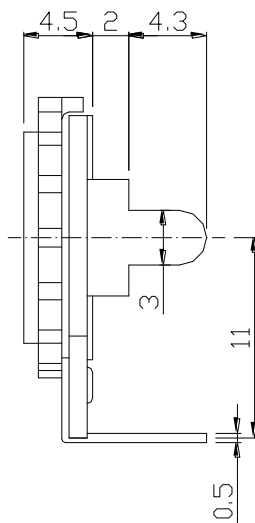
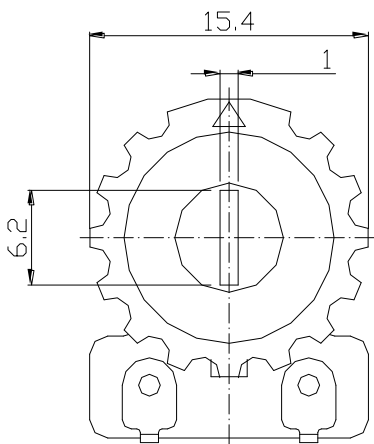


Part Number

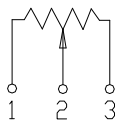
SH-R158 – 50K

↓
Resistance value

Dimensions



CIRCUIT



**15mm Carbon Semi-Fixed Potentiometer****General**

Operating temperature	-20°C ~ +85 °C
Soldering conditions	260°C 3±1 seconds

Electrical Characteristics

Total resistance	500Ω ~ 5MΩ
Resistance tolerance	±20% 500Ω ≥ R ≥ 500KΩ : ±30%
Resistance taper	A B C
Residual resistance	Term1-2: Less than 2Ω Term2-3: Less than 2Ω
Rated power(W)	0.1W/40°C ; 0W/70°C
Max. Operating voltage	AC 100V
Insulation resistance	More than 100 MΩ at DC 250 V
Withstand voltage	1 Minute at AC 250V
Rotation Noise	80mV Max.
Resistance temperature coefficient	600 ppm/°C

Mechanical Characteristics

Total rotational angle	270°±20°
Rotational torque	20 ~ 60 gf.cm
Rotational stopper strength	0.4 Kgf-cm
Rotational life	500 Cycles.