



8mm Semi-Fixed Carbon Potentiometer

SH085



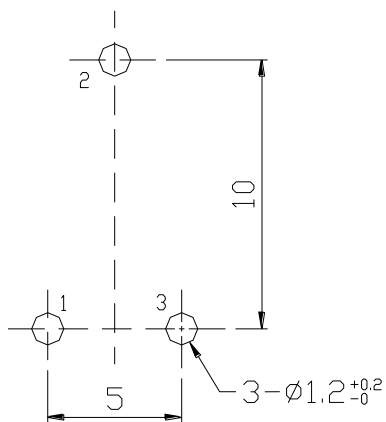
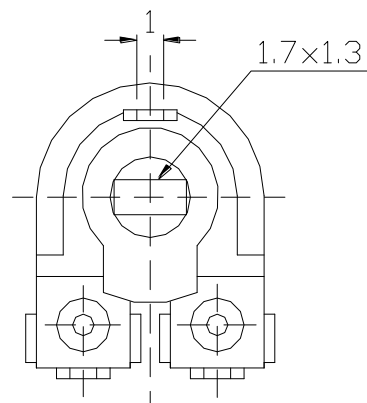
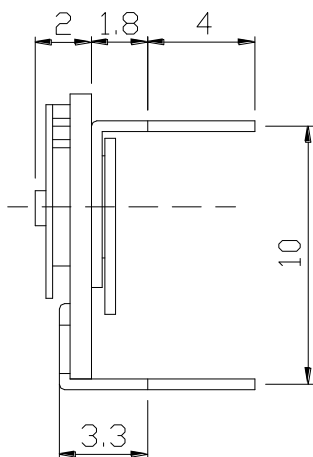
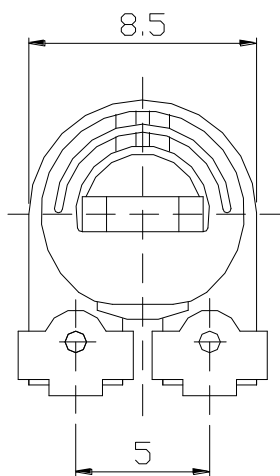
Part Number

SH085 – B 50K

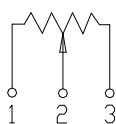
Taper
r

Resistance value

Dimensions



CIRCUIT



**8mm Semi-Fixed Carbon Potentiometer****General**

Operating temperature	-10°C ~ +70 °C
Soldering conditions	250±5°C Within 5 seconds

Electrical Characteristics

Total resistance	100Ω ~ 2MΩ
Resistance tolerance	±30%
Resistance taper	B
Residual resistance	R ≤ 1KΩ : ≤ 20Ω R > 1KΩ : Less than 3% of total resistance value
Rated power(W)	0.1W
Max. Operating voltage	DC 100V
Contact resistance variation	6% Max

Mechanical Characteristics

Total rotational angle	250°±20°
Rotational torque	40 ~ 250 gf.cm
Rotational stopper strength	0.8 Kgf-cm
Rotational life	50±5 Cycles.