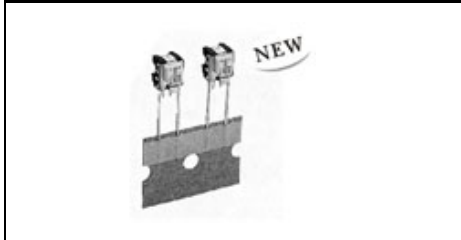




6mm Semi-Fixed Carbon Potentiometer

SH-630MCL T.B.



TAPING

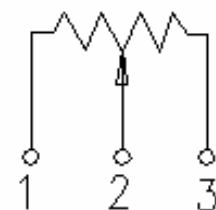
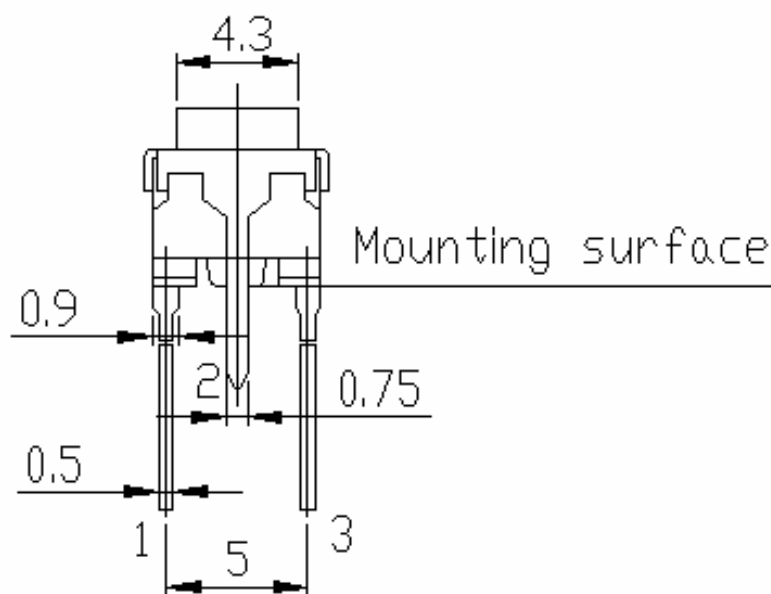
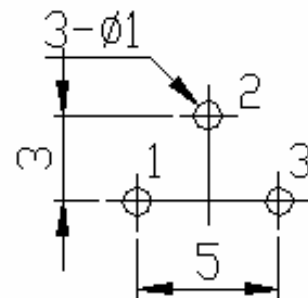
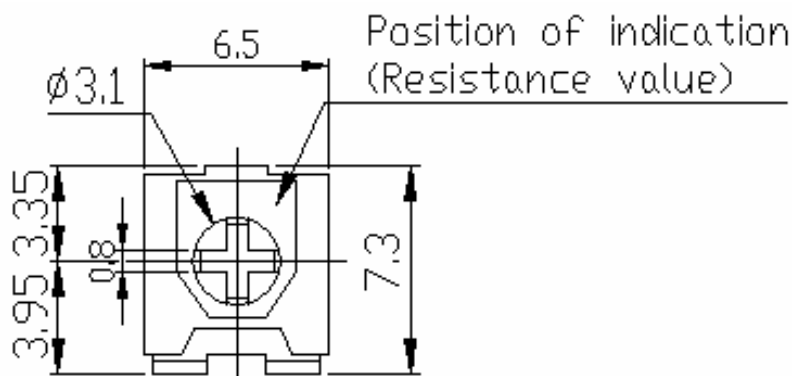
Part Number

SH-630MCL- 10 (T.B.)

Resistance Value

Carbon

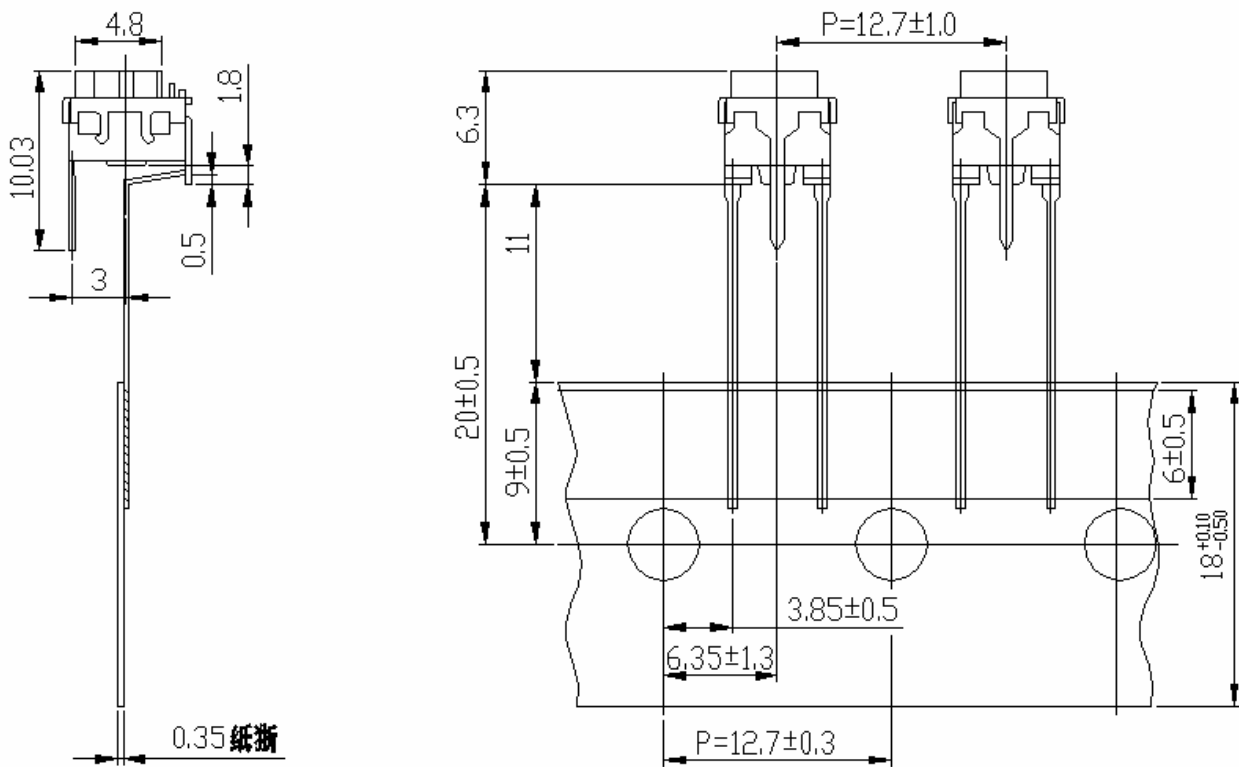
Dimensions





6mm Semi-Fixed Carbon Potentiometer

Dimensions





6mm Carbon Semi-Fixed Potentiometer

Electrical Characteristics

1. Resistance Value	100 Ω ~ 1 M Ω
2. Tolerance Rating	$\pm 30\%$
3. Resistance Taper	B Curve (Linear)
4. Max. Power Rating	0.1W (at 50°C)
5. Max. Working Voltage	50 V DC (>500k Ω 25V DC)
6. Contact Resistance Variation	6% Max.
7. Residual Resistance	Less than 1% of nominal resistance value $R \leq 1K \Omega \Rightarrow 30 \Omega$ Max. $R > 1K \Omega \Rightarrow 3\%$ Max.

Mechanical Characteristics

1. Rotation Angle	210 \pm 20 degree
2. Rotation Torque	50~250 gf-cm
3. Stopper Strength	Front \Rightarrow 750 gf-cm Rear \Rightarrow 350 gf-cm

Reliability Specification

1. Operation life	50 \pm 2 Cycles Resistance Value $\pm 15\%$
2. Temperature Characteristics	+5% to -20% @ 70°C 5 Hr
3. Humidity Characteristics	+20% to -5% @ 40°C 90 ~ 95% RH without load
4. Resistance To Soldering Heat	$\pm 3\%$ @ pass 300°C 3sec. @Without any poor contact
5. Working Temperature	- 10°C ~ 70°C
6. Temperature Cycles	$\pm 5\%$ @ without load : -10°C ~ 70°C 30min/ 5 cycles 2 hours after.