



Micro Series Slide Potentiometers

SL-101N

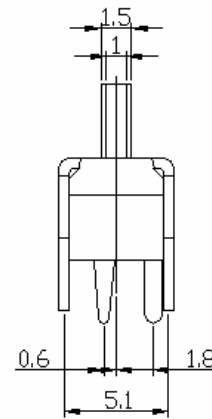
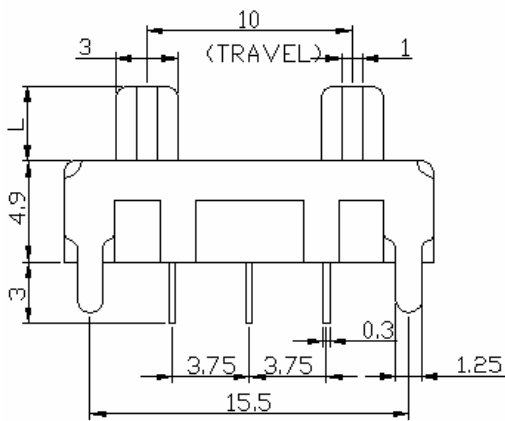
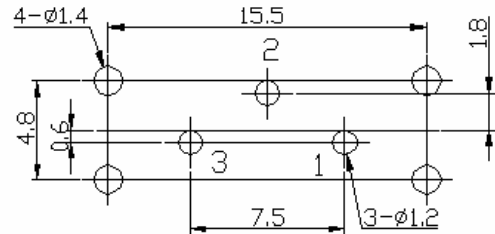
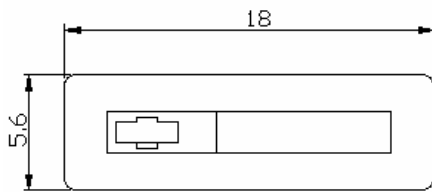


Part Number

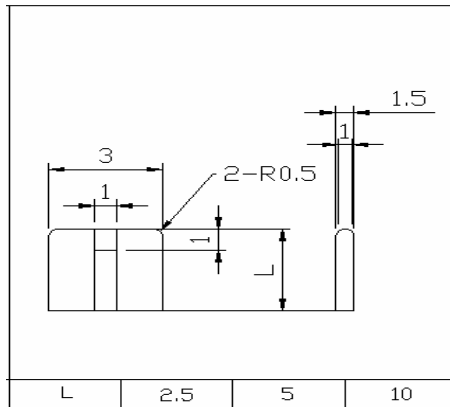
SL-101N - B 50K, L - 20 C

↓ Taper ↓ Resistance Value ↓ Shaft Length ↓ Shaft Type

Dimensions



Insulated Lever:





Micro Series Slide Potentiometers

Electrical Characteristics

Total Resistance	500 Ω ~ 500K Ω				
Total Resistance Tolerance	$\pm 20\%$ (more than 1M Ω $\pm 30\%$)				
Resistance Taper	A. B. C. D. W. Taper				
Resistance Taper Characteristics	A50%	B50%	C50%	D50%	W50%
	15-25%	40-60%	75-85%	2-15%	45-55%
Rated Power	B Taper: 200V 0.1 W; Other Taper 150V 0.05 W				
Residual Resistance	$R \geq 250K\Omega$ 0.1% $250K\Omega > R > 10K\Omega$ 20 Ω Max. (between Term. 1, 2) $10K\Omega \geq R$ 20 Ω Max. (between Term. 2, 3)				
Noise	100mV Max.				
Insulation Resistance	More than 50M Ω at DC 100V				
Withstand Voltage	1 minute at AC 100V				
Sliding Life	15,000 Cycles				

Mechanical Characteristics

Overall Travel	10 mm \pm 0.5 mm
Stopper Strength	5 kgf.cm max. / 3 sec.
Operating Force	0.2 ~ 2N (20~200gf.cm)
Lever Push-Pull Strength	25 N (2.5 kgf.cm max./10 sec.)
Lever Wobble	2(2*L)/25 mm max. (L:lever length both side)
Bending Moment	25mN.m (250gf.cm)
Click slip-out force	0.3 ~ 3N(30-300gf)
Soldering Heat	300 $^{\circ}$ C , 3s. (Only for Hand-Soldering)
Lever Deviation	0.5 max. (one side)